



TM

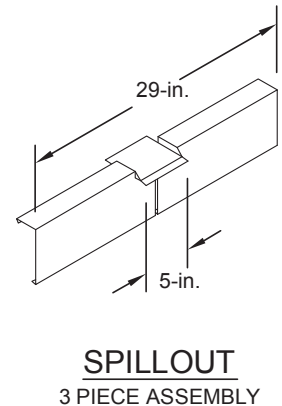
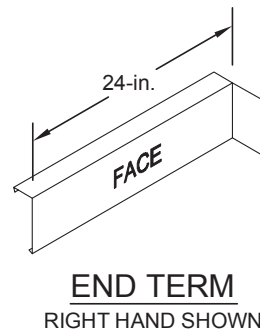
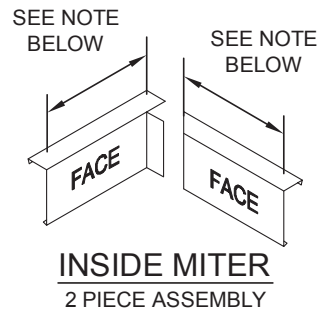
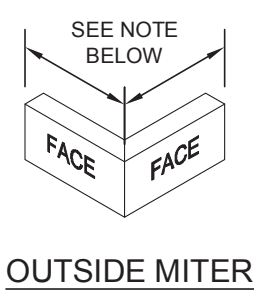
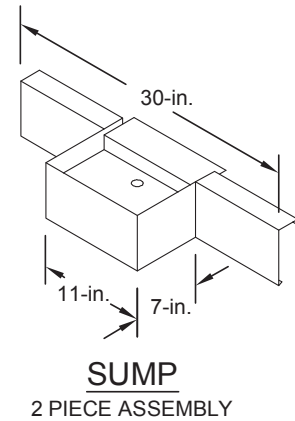
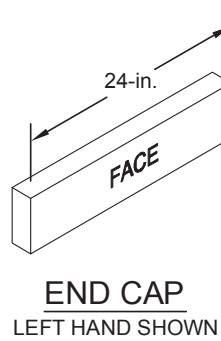
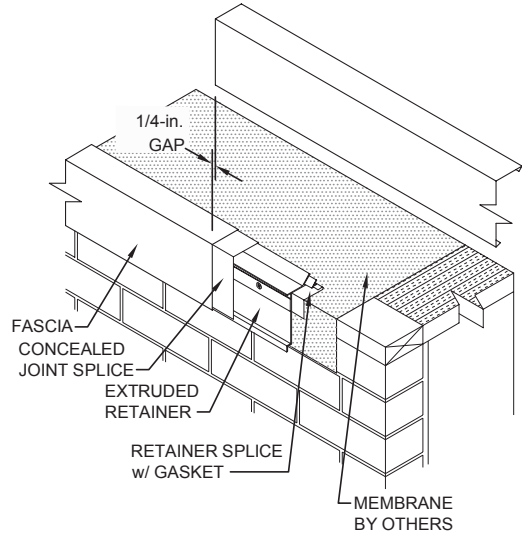
TerminEdge EX MB

FASCIA SYSTEM

Extruded Aluminum Retainer For Mod Bit

STANDARD COLORS - Other Colors Available

Ascot White	Bone White	Dove Gray	Silversmith	Shale Gray
Rocky Gray	Sandstone	Champagne	Titanium	Charcoal Gray
Concord Cream	Rawhide	Sierra Tan	Coppertone	Mission Red
Bright Red	Redwood	Boysenberry	Chocolate Brown	Antique Patina
Siam Blue	Slate Blue	Turquoise	Regal Blue	Statuary Bronze
Black	Hemlock Green	Patina Green	Forest Green	Hartford Green
	* Premium Colors			
Medium Bronze				



Standard fascia miter leg lengths: 12-in. nominal
Standard fascia miter angle is 90°

For special miter requirements, attach sketches or consult manufacturer for assistance.



Superior productivity.
Superior performance.

4 COMMERCE WAY, ARDEN, NC 28704 USA
800-892-9173 828-676-1700 OMGEDGESYSTEMS.COM
Copyright © 2017 OMG, Inc. All rights reserved.

