

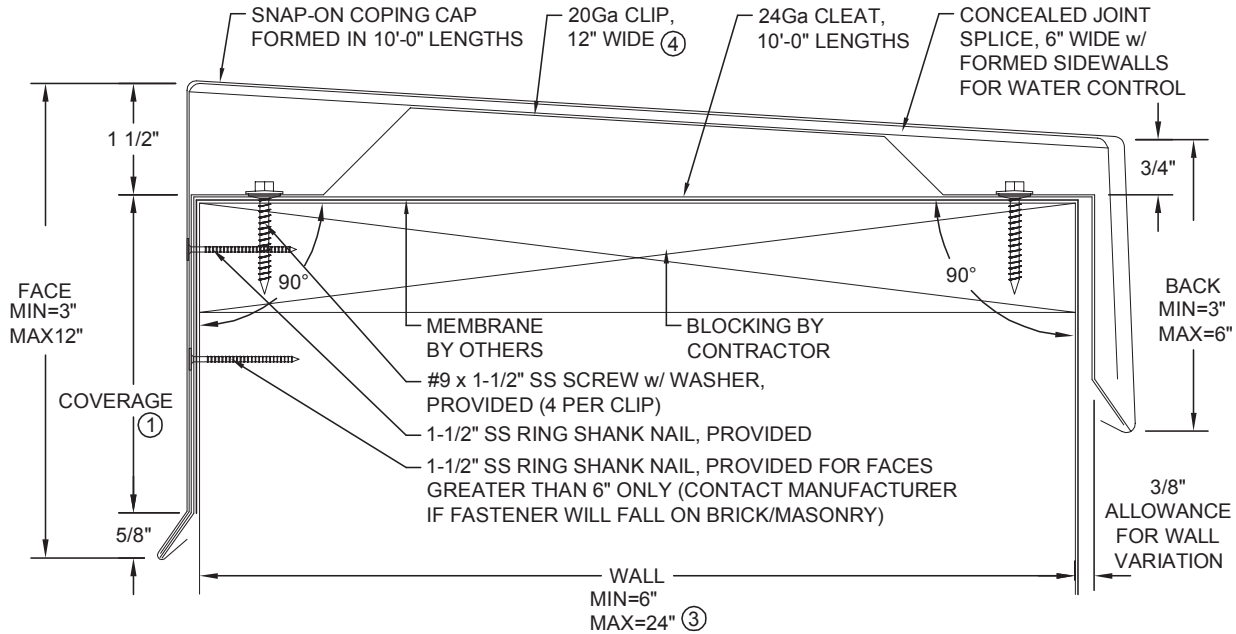


# Continuous Cleat

COPING SYSTEM

## Intermittent Clip with a Continuous Cleat

### Order Specification Form

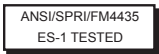


- ① Face = coverage (should extend a min of 1" below water resistant wall surface) + 2 1/8".
- ② 0.040 ALUM & 24Ga GALV coping cap only available for wall sizes 7 1/2" to 24".
- ③ Contact manufacturer for coping design on walls outside these parameters.
- ④ Clip spacing; 60"OC for all wall sizes.  
Clip has a different profile on walls 20" to 24"  
(See profile on back page).

QUANTITY				CAP MATERIAL	THICKNESS	COLOR	CAP FINISH
___	Total LF (10'-0" pcs)	___	Vaulted LF (5'-0" pcs)	<input type="checkbox"/> Aluminum	<input type="checkbox"/> 0.040 ②	<input type="checkbox"/> Statuary Bronze (A-01)	<input type="checkbox"/> Mill Finish
___	Miters (___Outside, ___Inside)	___	Vaulted to Straight Miters	<input type="checkbox"/> Galvanized	<input type="checkbox"/> 0.050	<input type="checkbox"/> Bone White (A-23)	<input type="checkbox"/> Prefinished Kynar
___	End Caps (___Left, ___Right)	___	Tee Miters	<input type="checkbox"/> Stainless Steel	<input type="checkbox"/> 0.063	<input type="checkbox"/> Concord Cream (A-02)	<input type="checkbox"/> Post Finished Kynar
___	End Caps Inserts (___Left, ___Right)	___	Zee Miters	<input type="checkbox"/> _____	<input type="checkbox"/> 0.080	<input type="checkbox"/> Medium Bronze (A-05)	<input type="checkbox"/> Prefinished Anodized
___	End Terms (___Left, ___Right)	___	Transition Miters	<b>ACCESSORY TYPE</b>	<input type="checkbox"/> 0.125	<input type="checkbox"/> Sandstone (A-06)	<input type="checkbox"/> Post Finished Anodized
___	Radius LF (5'-0" pcs)	___	Ridge Miters		<input type="checkbox"/> 24Ga ②	<input type="checkbox"/> Dove Gray (A-09)	<input type="checkbox"/> _____
___	Radius to Straight Miters	___	Valley Miters		<input type="checkbox"/> 22Ga	<input type="checkbox"/> Shale Gray (A-20)	
___	Radius End Conditions	___	Special Corners		<input type="checkbox"/> _____	<input type="checkbox"/> Sierra Tan (A-26)	
					<input type="checkbox"/> Welded		
				<input type="checkbox"/> Metal-Lok			

0.063 prefinished Kynar is only available in Statuary Bronze, Medium Bronze, Sandstone, Dove Gray, Ascot White, Forest Green & Bone White.

**APPROVALS:** Contact manufacturer for verification of test report data on your project.



Florida Product Approval #FL7424

**CUSTOMER APPROVAL**

- Approved for Fabrication
- Approved with Changes
- Not Approved

Authorized Customer Signature \_\_\_\_\_

Title \_\_\_\_\_ Date \_\_\_\_\_

Job Name:	Job #:	By:
Customer:	Project Location:	Date:
Representative:	Architect:	Sheet of



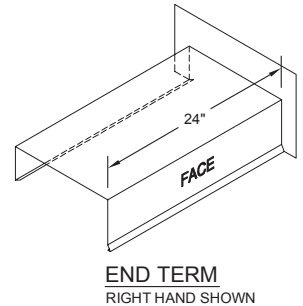
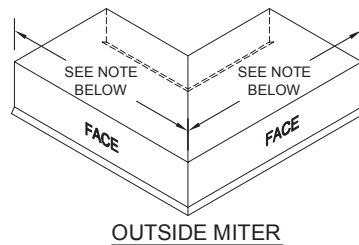
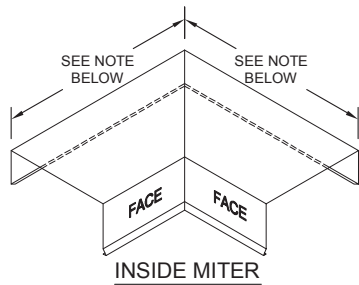
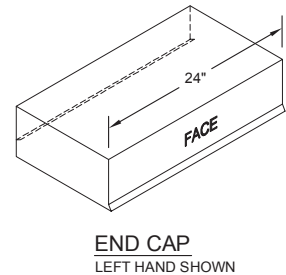
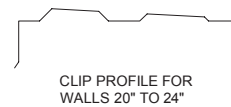
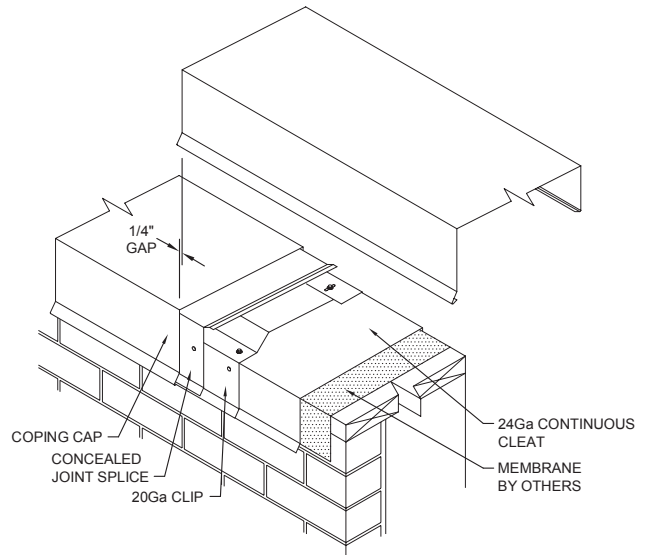
# Continuous Cleat

COPING SYSTEM

## Intermittent Clip with a Continuous Cleat

### STANDARD COLORS - Other Colors Available

Ascot White	Bone White	Dove Gray	Silversmith	Shale Gray
Rocky Gray	Sandstone	Champagne	Titanium	Charcoal Gray
Concord Cream	Rawhide	Sierra Tan	Coppertone	Mission Red
Bright Red	Redwood	Boysenberry	Chocolate Brown	Antique Patina
Siam Blue	Slate Blue	Turquoise	Regal Blue	Statuary Bronze
Black	Hemlock Green	Patina Green	Forest Green	Hartford Green
	* Premium Colors			
Medium Bronze				



Standard coping miter leg lengths:  
 23 1/4-in. for 7 1/2-in. to 16-in. wall widths  
 29 1/4-in. 16-in. to 23-in. wall widths  
 custom lengths for wall widths > 23-in.  
 Standard coping miter angle is 90°  
 For special miter requirements, attach sketches or consult manufacturer for assistance.



Superior productivity.  
Superior performance.

4 COMMERCE WAY, ARDEN, NC 28704 USA  
 800-892-9173 828-676-1700 OMGEDGESYSTEMS.COM  
 Copyright © 2017 OMG, Inc. All rights reserved.

