

OMG
TerminEdge™ EX for single-ply.
 FASCIA SYSTEM

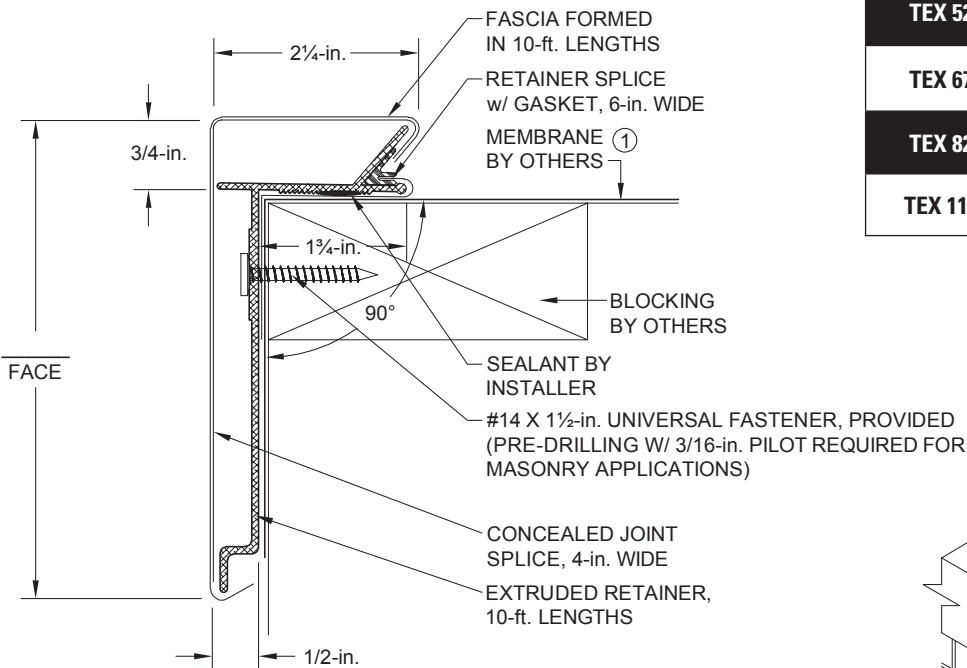
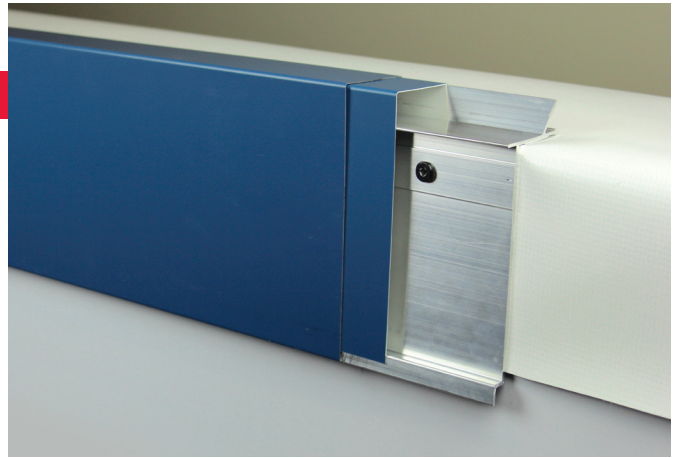
PRODUCT DATA SPECIFICATIONS

PRODUCT DESCRIPTION

OMG's TerminEdge EX is an extruded snap-on fascia for single-ply applications that provides superior protection from wind and water penetration.

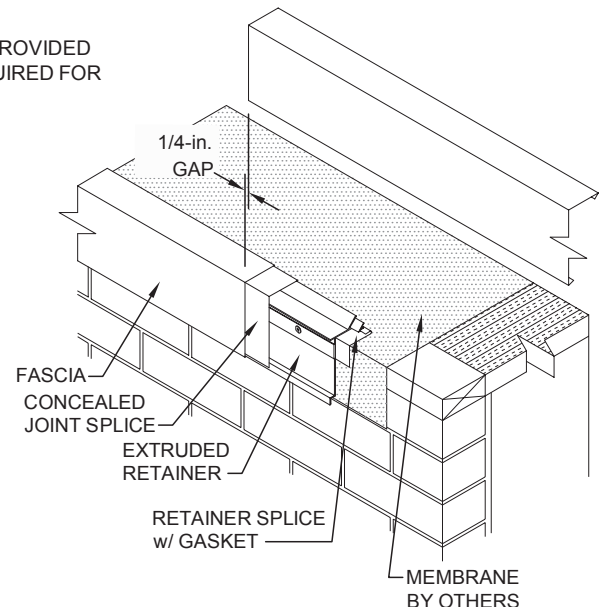
FEATURES & BENEFITS

- Extruded aluminum retainer with self-locating, pre-punched and slotted holes reduces installation time.
- Extruded retainer in five standard sizes: 3.75-in., 5.25-in., 6.75-in., 8.25-in. and 11.25-in. for one to six nailer coverage.
- ANSI/SPRI/FM-4435 ES-1 Tested and Certified.
- Warranted in wind conditions up to 155 mph with a 25-year, Category 5 Warranty.



① Coordinate installation with membrane manufacturer.

Standard Fascia Sizes	Face Height	Gauge	Nailers* Covered
TEX 375	3.75-in.	All sizes available in prefinished 22 and 24 gauge galvanized steel; .050-in., .063-in. aluminum; 22 gauge stainless steel	1
TEX 525	5.25-in.		2
TEX 675	6.75-in.		3
TEX 825	8.25-in.		4
TEX 1125	11.25-in.		6





TerminEdge™ EX for single-ply.

FASCIA SYSTEM

INSTALLATION PROCEDURE

SPECIFICATIONS *(short form)*

Low profile roof edge for fully adhered or mechanically attached single-ply roof membranes.

TerminEdge EX fascia cap shall be formed metal with an extruded aluminum retainer.

The roof edge shall be TerminEdge EX (insert model number; TEX-375, TEX-525, TEX-675, TEX-825 and TEX-1125). Fascia and retainer will be in 10-ft. (3.04 m) lengths.

DESCRIPTION

TerminEdge EX is a two-part assembly with an extruded retainer, and a decorative snap-on fascia cover for single-ply roofs. The fascia cap is available in aluminum, .040-in. (1 mm), .050-in. (1.25 mm) or .063-in. (1.60 mm) or 22 ga. and 24 ga. Kynar 500® coated galvanized steel with concealed splice plates. Extruded retainer will be .100-in. extruded aluminum with self-locating pre-punched slotted holes for fasteners at 12-in. (304.8 mm) on center in 10-ft. (3.04 m) standard lengths.

INSTALLATION PROCEDURES

This is a general outline. Refer to our full installation guide for details.

Preparation:

The roof edge must be level and wood nailers must be straight. Install the roofing membrane according to the roofing membrane manufacturer's instructions. The edge of the membrane should extend over the face of the building approximately 3-in. (76.2 mm) and be secured by the retainer or as required by the membrane manufacturer. Before the extruded retainer is installed, apply a continuous bead of the roof manufacturer's water cut-off sealant to the bottom side of the retainer. Install a retainer splice with rubber trim onto the extruded

retainer. Place the retainer down on the edge of the roof leaving at least a 1/4-in. gap between each of the retainer sections. Secure the retainer using OMG's #14 Universal Fasteners for wood, metal and concrete.

Locate the fasteners in the pre-punched holes as required. Unless otherwise specified, fasteners should be located every 12-in. (304.8 mm). Install fasteners into each of the pre-punched holes. Hook the joint splice from the top and allow it to hang down the face of the retainer. Install fascia by hooking the back flange over the top of the retainer. Snap the fascia on by pushing down firmly on the leading edge until bottom snaps under the drip edge of the retainer. Leave a 1/4-in. gap at each joint to allow for thermal movement. Coordinate with membrane manufacturer before starting installation.

FINISHES

- Natural mill aluminum
- Pre-coat Kynar 500 — from the manufacturer's standard color chart
- Post-coat Kynar 500 — industry standard two coat colors
- Non-standard Kynar 500 — colors requiring multiple coatings or protective clear coats
- Anodized aluminum — clear, bronze and black

GUARANTEE

A. Manufacturer's Standard Warranty: Warranted materials shall be free of defects in material and workmanship for five years after shipment. If, after inspection, the manufacturer agrees that materials are defective, the manufacturer shall at their option repair or replace them. For decorative finish warranty, consult manufacturer.

B. Special 25-year Category 5 Warranty: Manufacturer shall guarantee that a standard size roof edge system, when installed per manufacturer's instructions, will not blow off, leak, or cause membrane failure, even in wind conditions up to 155 mph, or the manufacturer shall replace or repair its materials.



C. Decorative Finish Warranty (consult Manufacturer).

QUALITY ASSURANCE

The fascia product shall be listed in the current Factory Mutual Research Corporation Approval Guide approved by ANSI/SPRI/FM 4435/ES-1 SPRI Test Method RE-2 Pull-Off test for fascia. Fascia shall be certified by the manufacturer to design pressures as indicated in current edition of Wind Resistance Standard for Edge Systems Used with Low Slope Roofing Systems. Meets International Building Code. Florida Product Approval # FL7424 including HVHZ rating.

TECHNICAL SERVICES

Shop drawings are available from the factory. Product samples, detail sheets, color chips and color charts are ready for your submittal package. Long form specifications and CAD details are available on our website. For personal assistance with questions or submittals, contact your local representative or contact your OMG local representative.



EdgeSystems

4 COMMERCE WAY, ARDEN, NC, 28704 USA
800-892-9173 828-7676-1700 OMGROOFING.COM

Copyright © 2017 OMG, Inc. All rights reserved. TerminEdge is a trademark of OMG, Inc.

Superior productivity.
Superior performance.

