



EdgeBox RI Perimeter Metal Blocking System

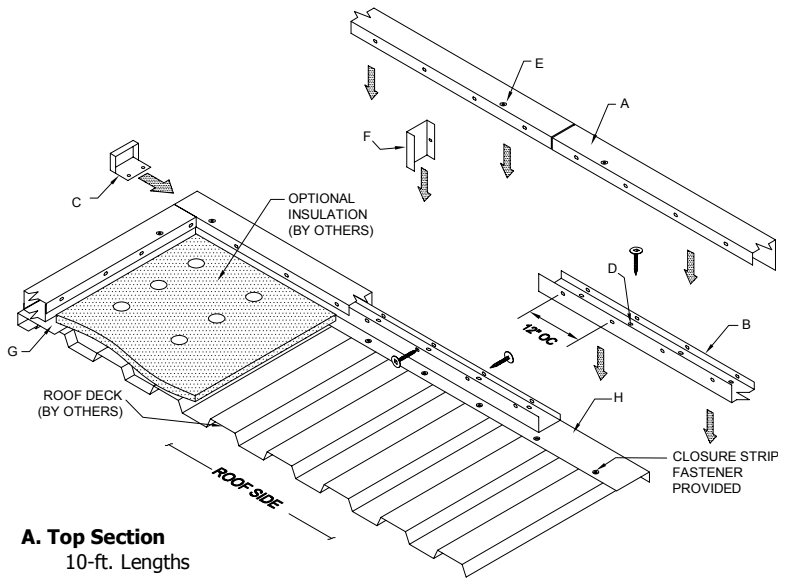
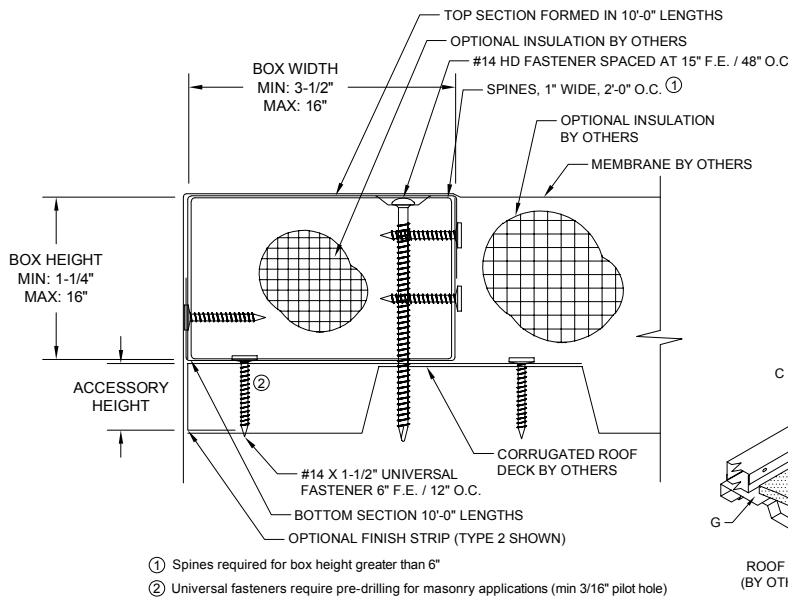
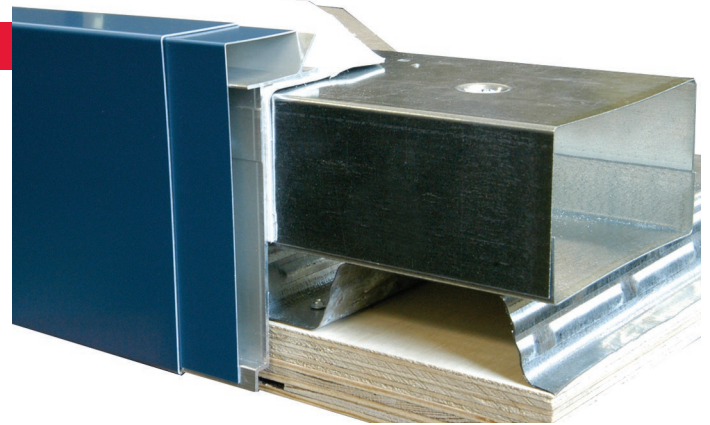
PRODUCT DATA SPECIFICATIONS

PRODUCT DESCRIPTION

EdgeBox RI is an innovative new product that is an engineered metal replacement system for roof nailers.

FEATURES & BENEFITS

- Replaces traditional wood blocking or nailers at the perimeter of a low-slope roof. Eliminates concerns about fastener corrosion in ACQ treated wood. No rotting, insect damage or mold.
- Provides a retainer for rigid insulation. Maintains high R-value designed to prevent thermal loss from system.
- Includes pre-punched holes and supplied corrosion-resitant fasteners for proper attachment and fast installation.



A. Top Section

10-ft. Lengths

B. Bottom Section

10-ft. Lengths

C. End Cap Insert

Slides into exposed end of bottom section

D. #14 X 1 1/2-in. Universal Fastener

Included and required

E. #14 HD Roofing Fastener

Size varies based on height of EdgeBox
min. 1-in. penetration required

F. EdgeBox Spine

Required for face greater than 6-in.

G. Finish Strip

Parallel to deck flutes
(required for metal deck)

H. Closure Strip

Perpendicular to deck flutes
(required for metal deck)

Height	Width	Material
1.25 - 6-in.	3.5 - 6-in.	20 Ga. Galvanized Steel Box
6.25 - 12-in.		20 Ga. Galvanized Box w/ 20 Ga. Spine
12.25 - 16-in.		20 Ga. Galvanized Box w/ 16 Ga. Spine



EdgeSystems



EdgeBox RI Perimeter Metal Blocking System

INSTALLATION PROCEDURE

SPECIFICATIONS *(short form)*

The perimeter blocking shall be the EdgeBox RI as manufactured by the OMG EdgeSystems. The EdgeBox two-piece assembly shall be fabricated from 20 Ga. galvanized steel with pre-punched fastener holes. The bottom section is attached to the metal deck with the provided mechanical fasteners. No slots are necessary for use with rigid insulation. Installation shall conform to Manufacturer's written instructions.

DESCRIPTION

Application

EdgeBox is an innovative new product that is an engineered metal replacement system for roof nailers. The two-piece design replaces traditional wood blocking or nailers at the perimeter of a low-slope roof. EdgeBox attaches to the roof deck and is used in conjunction with OMG fascia profiles that have been tested to meet the ANSI/SPRI/FM4435/ES-1 roof edge standard, now required by the International Building Code.

INSTALLATION PROCEDURES

This is a general outline. Refer to our full installation guide for details.

Preparation:

The substrate should be flat and level from front to back. Shim areas not level.

Procedure:

Starting at the corners, install a closure strip at the end of the metal deck closing off the flutes and a finish strip parallel with the flutes providing a level surface for EdgeBox. Fasten bottom sections of the blocking to the metal deck using the provided fasteners leaving an 1/8-in. gap for expansion. Slide end cap inserts into exposed ends of bottom section. Starting at the corners, place top section onto bottom section, secure each end with the supplied fasteners into holes provided.

FINISH

Natural mill galvanized steel

GUARANTEE

Manufacturer's Standard Warranty:

Materials shall be free of defects in material and workmanship for five years after shipment. If, after inspection, the manufacturer agrees that the materials supplied by them are defective, the manufacturer shall at their option repair or replace them.

TECHNICAL SERVICES

Engineering and shop drawings are available from the factory. Product samples and detail sheets are ready for your submittal package. For personal assistance with questions or submittals, contact your local OMG Edge Systems representative.



EdgeSystems

4 COMMERCE WAY, ARDEN, NC, 28704 USA
800-892-9173 828-7676-1700 OMGROOFING.COM

Copyright © 2017 OMG, Inc. All rights reserved. PermaSnap is a trademark of OMG, Inc.

Superior productivity.
Superior performance.

