



Balcony RetroDrain

PRODUCT DATA SPECIFICATIONS

PRODUCT DESCRIPTION

Its unique dimensions allow the Balcony RetroDrain to be installed under a paver system or areas where foot traffic is common. The patented RAC Backflow Compression Seal provides a proven plumbing connection with the existing leader pipe. Available in 3-in. and 4-in. sizes.

FEATURES & BENEFITS

- Pre-punched, .080-in. thick 8-in. x 8-in. aluminum drain flange.
- Strainer design is flat and constructed of .125-in. thick aluminum and is 6-in. in diameter.
- The flat strainer works also as a clamping ring which provides a tight compression for terminating for the roof system.
- Patented RAC Backflow Compression Seal is quickly activated at drain flange level with a 7/16-in. wrench and protects the roof and building from water damage.
- Designed to accommodate tight field conditions.
- Saves time and money by allowing easy installation from the rooftop without disturbing occupants.

APPLICATION

OlyFlow® RetroDrains are designed to replace existing drains in reroofing applications. Installed from the roof surface, OlyFlow RetroDrains are engineered to be installed without removing the existing plumbing or fixture while providing a watertight connection to the roof system and the existing plumbing.

APPROVALS & STANDARDS

ANSI/SPRI RD-1 is a national performance standard for retrofit roof drains. While most retrofit drains are not tested to this standard, OlyFlow Insert Drains – including the Balcony RetroDrain with RAC Backflow Compression Seal – exceed the standard, which requires that the seal hold a 10-ft. column of water for 24 hours without leaking.



PHYSICAL DATA

The data below is constant for all OMG Balcony RetroDrains.

DRAIN BODY		SEAL	
.080" thick aluminum		Watertight RAC Backflow Compression Seal requires 7/16" wrench	
FLANGE		STRAINER DOME	
8" x 8"		6" diameter, made of .125" thick aluminum	
STEM		CLAMP RING	
9" length		.125" thick low profile aluminum	

ORDERING INFORMATION

CAT. NO.	SIZE IN	DOME TYPE	PKG QTY	DIMENSIONAL WEIGHT LBS
BDRM3	3	Aluminum	1	20
BDRM4	4	Aluminum	1	20



Balcony RetroDrain

INSTALLATION PROCEDURE

FOR USE WITH

Single ply, BUR and modified bitumen systems.

JOB PREPARATION

Measure I.D. of existing drain pipe to determine proper size Balcony RetroDrain to be installed. The existing leader pipe shall be cleaned of excess bitumen build-up, dirt and debris. Remove the clamping ring assembly and bolts from the existing drain and discard. If required, comply with roof manufacturer's directions for additional cleaning or detailing.

STEP 1

Important – The aluminum activation cone may have settled into the backflow seal during shipping which may partially activate the seal. To deactivate the seal, simply push down on the top of the two backflow bolts. **Note:** The top of the tapered metal cone should remain inside the bottom of the urethane seal. Do not fully disengage the cone from the urethane seal.

STEP 2

Lower the Retrofit Drain Assembly into the existing drain leader pipe until the underside of the drain flange sits flat on the substrate.

STEP 3

Using the pre-punched holes in the perimeter of the flange, secure the drain flange to the substrate with appropriate fasteners.

STEP 4

Hand tighten the 7/16-in. bolts on the backflow rods to activate the seal. **Alternate tightening** between the bolts for an even seal expansion. Rods should be snug when fully activated. Do not overtighten.

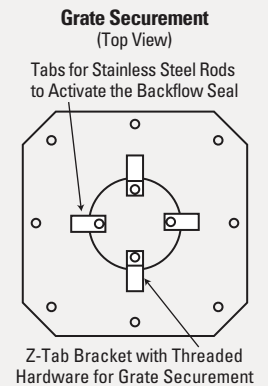
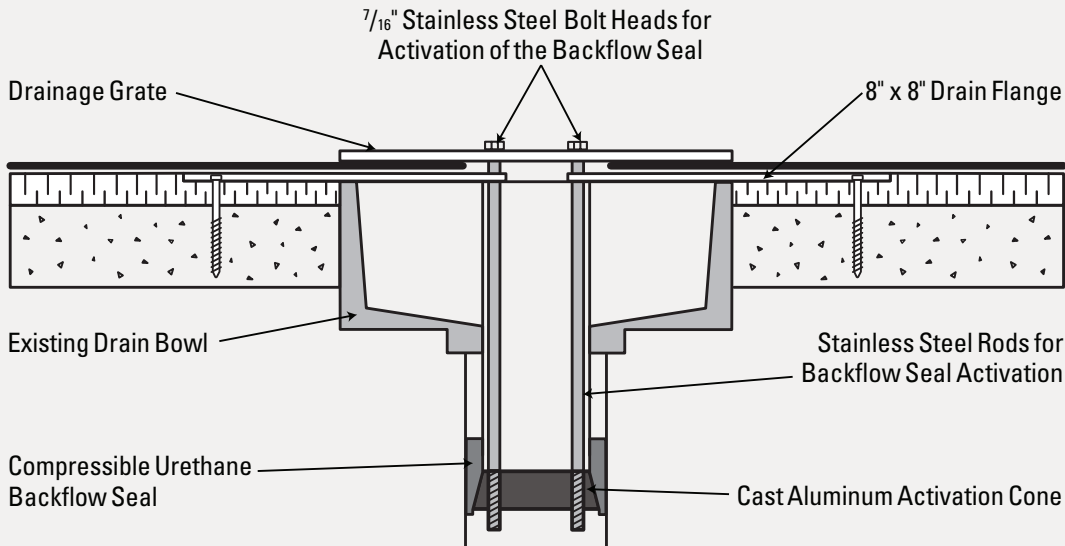
STEP 5

Install roofing material per system manufacturer's drain flashing details.

STEP 6

Install the 6-in. diameter drainage grate by placing grate over the drain and aligning two holes with threaded nuts on "Z" tabs. Install two screws provided with slot head screwdriver.

**For technical assistance contact
OMG at 800-633-3800.**



ROOFING PRODUCTS

153 BOWLES ROAD, AGAWAM, MA 01001 USA
800-633-3800 413-789-0252 OMGROOFING.COM

SuperDome® and OlyFlow® are trademarks of OMG, Inc. Copyright © 2018 OMG, Inc. All rights reserved.

Superior productivity.
Superior performance.

