



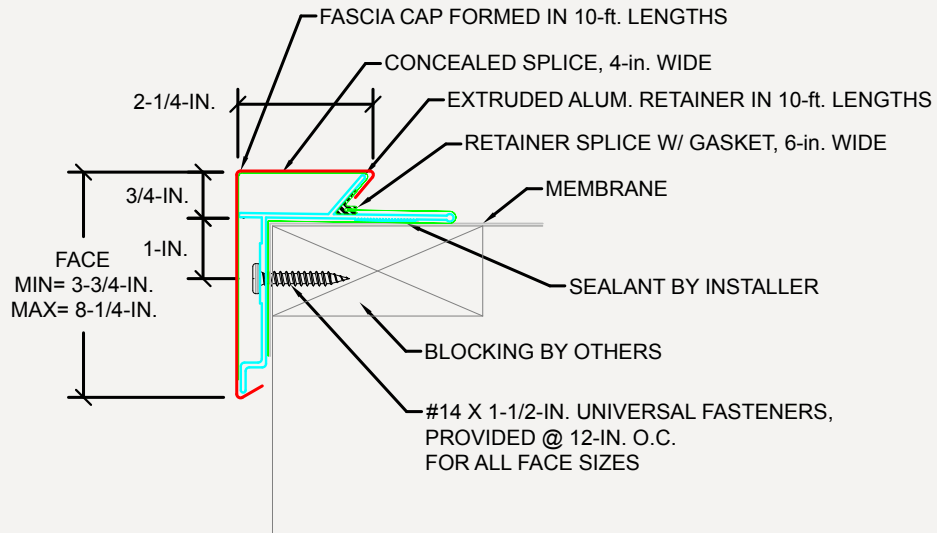
# TerminEdge™ EX MB

Fascia with Extruded Aluminum Retainer for Mod Bit & BUR.

## ORDER SPECIFICATION FORM

ANSI/SPRI/FM4435/ES-1 TEST PRESSURES UP TO 260 PSF (HORIZONTAL)

STANDARD FACE SIZES
3.75"
5.25"
6.75"
8.25"



PRE-DRILL WITH 3/16-IN. DRILL BIT FOR MASONRY CONDITIONS.

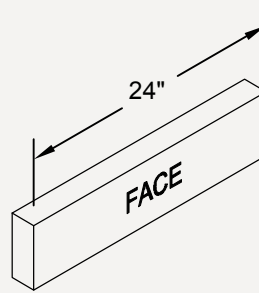
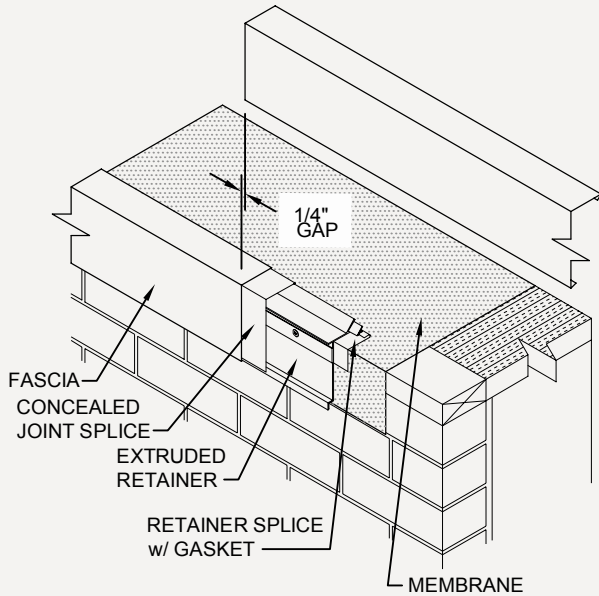
CONTACT US FOR APPROPRIATE RECOMMENDATIONS NEEDED TO MEET/EXCEED ANSI/SPRI/FM4435/ES-1 DESIGN CRITERIA

APPROVALS	COVER MATERIAL	THICKNESS	COVER FINISH
Florida Product Approval	Aluminum Galvanized Steel Stainless Steel	24Ga. 22Ga. .040 in. .050 in. .063 in.	Mill Prefinished Kynar Premium Prefinished Kynar Post Finished Kynar Prefinished Anodized Post Finished Anodized
QUANTITY	ACCESSORY TYPE	<b>CUSTOMER APPROVAL</b>	
_____ Straight Length _____ Total Miters (Inside: _____ / Outside: _____) _____ Total End Caps (Left: _____ / Right: _____) _____ Total End Terms (Left: _____ / Right: _____) _____ Radius Notched _____ Radius to Straight Miter Notched _____ Radius End Cap _____ Vault Welded _____ Vault to Straight Miter Welded _____ Vault End Cap _____ Z-Miter _____ Ridge Miter _____ Valley Miter _____ Sumps _____ Spillouts	Welded Folded	Approved for Fabrication    Approved with Changes    Not Approved  _____ Authorized Customer Signature	
<b>COLOR</b>	Title _____ Date _____ Job Name: _____ Project Location: _____ Customer: _____ Representative: _____		

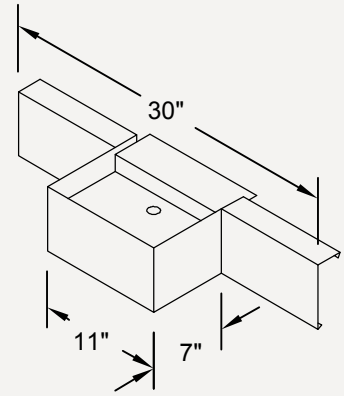


# TerminEdge™ EX MB

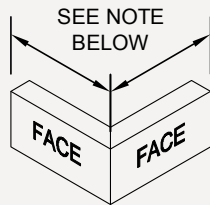
Fascia with Extruded Aluminum Retainer for Mod Bit & BUR.



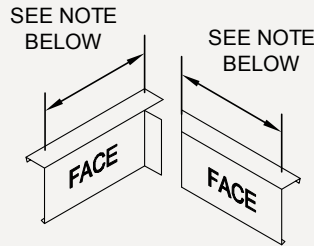
**END CAP**  
LEFT HAND SHOWN



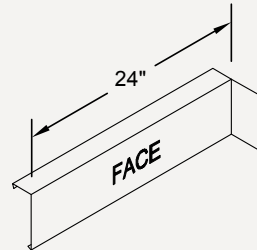
**SUMP**  
2 PIECE ASSEMBLY



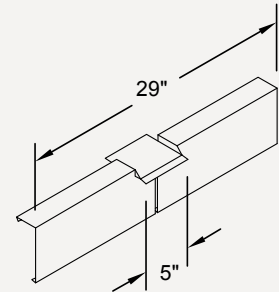
**OUTSIDE MITER**



**INSIDE MITER**  
2 PIECE ASSEMBLY



**END TERM**  
RIGHT HAND SHOWN



**SPILLOUT**  
3 PIECE ASSEMBLY

Standard fascia miter leg lengths: 12" nominal  
Standard fascia miter angle is 90°

For special miter requirements, attach sketches or consult manufacturer for assistance.



## EdgeSystems

4 COMMERCE WAY, ARDEN NC 28704 USA  
800-892-9173 828-676-1700 OMGROOFING.COM

Copyright © 2020 OMG, Inc. All rights reserved.

Superior productivity.  
Superior performance.

