



EconoSnap® Fascia

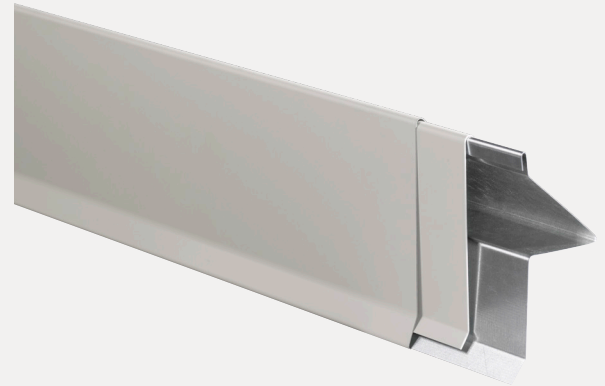
PRODUCT DATA SPECIFICATIONS

PRODUCT DESCRIPTION

The EconoSnap fascia system is an ideal low-cost solution for EPDM and thermoplastic single ply membrane up to 60 mil thick. The system consists of a continuous galvanized steel spring clip designed to terminate the membrane at the perimeter, concealed joint splice plates with no exposed fasteners and either a galvanized or aluminum fascia cap. Its unique snap-on design eliminates field crimping by providing a quick, easy, and clean installation.

APPROVALS

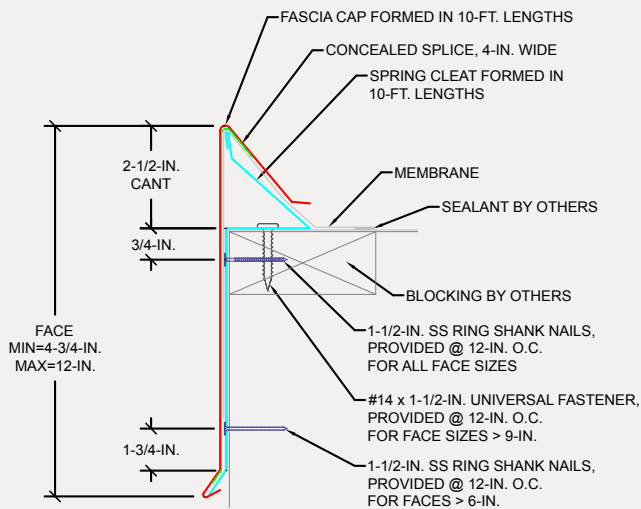
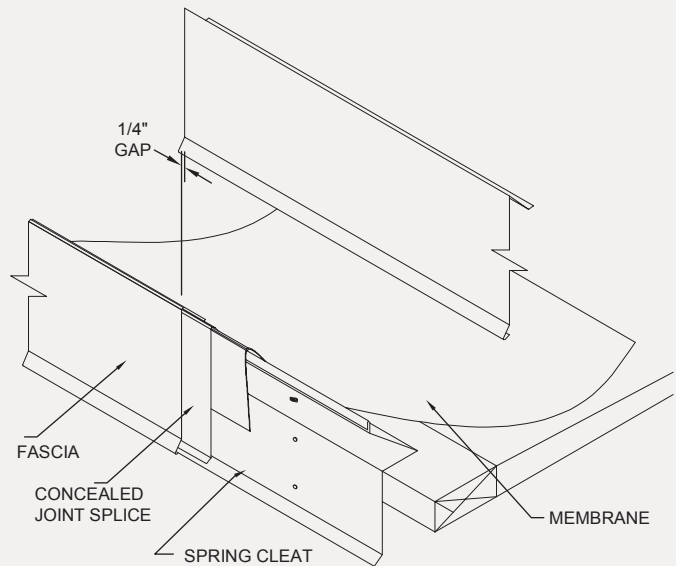
ANSI/SPRI/FM 4435
/ES-1 TESTED



FEATURES & BENEFITS

- Easy snap-on installation with no need to crimp the drip.
- Factory snap-on system that doesn't require field crimping assuring fast, clean installation.
- Quick and easy installation saves labor.
- Comes with a 20 Year Excel Warranty; for wind speeds up to 110 MPH.
- ANSI/SPRI/FM-4435 ES-1 tested and FM approved.

ANSI/SPRI/FM4435/ES-1 TEST PRESSURES UP TO 117 PSF (HORIZONTAL)



FOR MASONRY APPLICATIONS, PLEASE CONTACT US.
CONTACT US FOR APPROPRIATE RECOMMENDATIONS NEEDED TO MEET/EXCEED
ANSI/SPRI/FM4435/ES-1 DESIGN CRITERIA



EconoSnap® Fascia

INSTALLATION PROCEDURE

SPECIFICATIONS (short form)

The roof edge for single-ply roofing material shall be EconoSnap Fascia as manufactured by OMG, Inc. The fascia is provided with a minimum 24 Ga. galvanized steel spring clip. Fascia and spring cleat will be in 10-ft. lengths.

DESCRIPTION

Econosnap is a decorative metal fascia with a continuous galvanized steel spring clip designed to terminate single-ply roofing at the perimeter.

The system shall be watertight with concealed joint splice plates and no exposed fasteners. Standard EconoSnap fascia is formed from .040-, .050- or .063-in. aluminum and 22 Ga. or 24 Ga. Kynar 500® coated galvanized steel.

INSTALLATION PROCEDURES

This is a general outline. Refer to our full installation guide for details.

Preparation:

The roof edge must be level and wood nailers must be straight. Do not distort the vertical face of the spring cleat. Use shims to keep nailing surface flat. Locate and install sump cores where downspouts will be located prior to the spring cleat. Nail the continuous galvanized spring cleat to the vertical face of the wood nailer using the provided fasteners. Attach the spring cleat using the 1½-in. SS ring shank nails provided in each pre-punched hole. Allow 1/8-in. gap between sections for thermal movement. Lay roofing membrane over the spring cleat allowing it to extend down the face to the drip edge. DO NOT extend past the kick out.

Place a concealed joint splice in each side of the miter. Center the miter over the spring cleat, then press downward on the top of the miter until the drip of the miter fully engages the kick out of the spring cleat. Install splice plates at into one end of the straight sections. Hook each section over the top of the spring cleat and membrane. Press down on the fascia until the drip edge is engaged. Allow 1/4 -in. gap for expansion. Review lengths of all straight pieces prior to cutting to avoid creating relatively short sections of fascia adjacent to full length sections.

FINISHES

- Mill aluminum
- Pre-Finished Kynar 500 from the manufacturer's standard color chart
- Premium pre-finished Kynar 500 from the manufacturer's color chart
- Post-Finished Kynar 500
- Pre-Finished anodized aluminum – clear, bronze or black
- Post-Finished anodized aluminum

GUARANTEE

A. Manufacturer's Standard Warranty:

Warranted materials shall be free of defects in material and workmanship for five years after shipment. If, after inspection, the manufacturer agrees that materials are defective, the manufacturer shall at their option repair or replace them.

B. Special 20-Year Warranty:

Manufacturer shall guarantee that a standard size roof edge system, when installed per manufacturer's instructions, will not blow off, leak, or cause membrane failure, even in wind conditions up to 110 MPH, or the manufacturer shall replace or repair its materials

C. Decorative Finish Warranty:

- 30 year pre-finished Kynar 500 warranty
- 20 year post-finished Kynar 500 warranty

QUALITY ASSURANCE

The fascia product shall be listed in the current Factory Mutual Research Corporation Approval Guide approved by ANSI/SPRI/FM 4435/ES-1 SPRI Test Method RE-2 Pull-Off test for fascia. Fascia shall be certified by the manufacturer to design pressures as indicated in current edition of Wind Resistance Standard for Edge Systems Used with Low Slope Roofing Systems.

TECHNICAL SERVICES

Shop drawings are available from the factory. Product samples, detail sheets, color chips and color charts are ready for your submittal package. Long form specifications and CAD details are available on our website. For personal assistance with questions or submittals, contact your OMG local representative.



EdgeSystems

4 COMMERCE WAY, ARDEN NC 28704 USA
800-892-9173 828-676-1700 OMGROOFING.COM

Copyright © 2020 OMG, Inc. All rights reserved.

EconoSnap and TerminEdge are trademarks of OMG, Inc

Superior productivity.
Superior performance.

