



PermaSnap® & PermaSnap® Plus

PRODUCT DATA SPECIFICATIONS

PRODUCT DESCRIPTION

PermaSnap is a three-piece snap-on coping system designed for use on parapet walls. The system is available with standard 20 Ga. galvanized clips, or as PermaSnap Plus, with heavy duty 16 Ga. galvanized clips for enhanced performance. Both PermaSnap products consist of galvanized clips, concealed splices and a snap-on coping cap for added installation productivity. In addition, PermaSnap products are compatible with all commercial roofing systems, easy-to-install, and provide excellent wind protection along with a clean professional look.

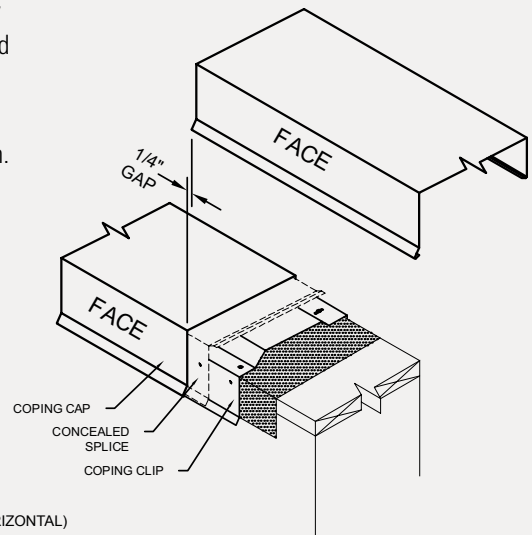
FEATURES & BENEFITS

- ANSI/SPRI/FM 4435/ES-1 Tested.
- Snap-on design eliminates exposed fasteners.
- Concealed 6-inch splices accommodate building expansion and contraction, and eliminate the need for unsightly caulked or taped joints.

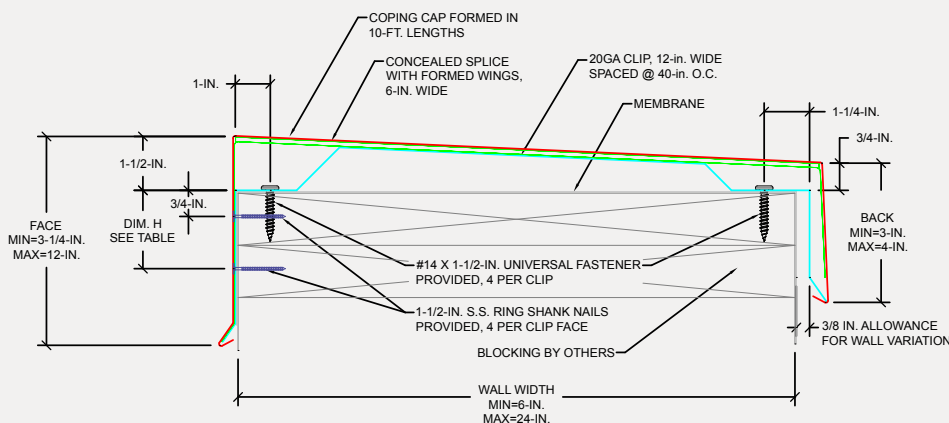
- The system includes an internal gutter system to channel water back onto the roof.
- True welded radius, matching corners, end conditions and other accessories are factory fabricated.
- Supplied with 1.5-inch OMG Universal Fasteners.
- PermaSnap comes with 20 Ga. galvanized clips; PermaSnap Plus comes with heavy duty 16 Ga. galvanized clips for enhanced performance.
- Both products come with a 20 year Excel Warranty for wind speeds up to 110 mph.

APPLICATION

PermaSnap and PermaSnap Plus coping systems are designed for use on parapet walls, and secured in place with OMG Universal Fasteners (pre-drilling is required on masonry substrates).



ANSI/SPRI/FM4435/ES-1 TEST PRESSURES UP TO 139 PSF (VERTICAL), AND 82 PSF (HORIZONTAL)



WALL SIZES	FACE HEIGHTS AND BACK LEGS	CAP MATERIALS	CAP GAUGE	FINISHES
PermaSnap 6-in. to 24-in.	Face Heights from 3 1/4- to 12-inches	Galvanized Steel, Aluminum, Stainless Steel	Galvanized steel: 24 or 22 Ga. Aluminum: .040-, .050-, .063- or .080-inches Stainless steel: 24 or 22 Ga.	Mill Finish Manufacturer's Standard Kynar 500® Colors Custom or Exotic Kynar 500® Post-Finished Colors Clear, Bronze, Black Anodized
PermaSnap Plus 6-in. to 32-in.	Back Leg 4-inches (maximum)			



PermaSnap® & PermaSnap® Plus

INSTALLATION PROCEDURE

SPECIFICATIONS (short form)

The coping cap shall be PermaSnap or PermaSnap Plus coping system as manufactured by OMG EdgeSystems. The coping cap shall be formed galvanized steel, aluminum or stainless steel with allowance for expansion and contraction. PermaSnap coping is designed for wall widths from 6- to 24-inches. PermaSnap Plus can be used on walls from 6- to 32-inches. All offer face heights from 3.25- to 12-inches. Custom sizes and materials are available by request.

PermaSnap intermittent clips shall be 20 Ga. galvanized steel with pre-slotted fastener holes.

PermaSnap Plus intermittent clips shall be 16 Ga. galvanized steel with pre-slotted fastener holes.

A 6-in. wide concealed splice with an internal metal drainage system shall channel water back to the roof. The concealed splice will be .040-inch aluminum with the same finish as the coping cap

DESCRIPTION

Application

The system is a metal snap-on coping with intermittent clips for capping parapet walls. Standard coping is formed from .040-, .050-, .063- or .080-in. aluminum; or 24 or 22 Ga. galvanized steel with Kynar 500® coating, or 24 or 22 Ga. stainless steel. Custom metal is also available by request.

Materials are provided in standard 10-ft. lengths. Clips are 20 Ga. or 16 Ga. galvanized steel depending on product ordered. Concealed splices are the same color and finish as the coping cap.

INSTALLATION PROCEDURES

This is a general outline. Refer to our full installation guide for details.

Preparation:

The substrate should be flat and level from front to back. Shim areas not level.

Procedure:

The first clips with attached concealed joint splices should be placed 2-in. from the end of a wall and at the corners. The first 10-ft. clip should be installed with the center line of the clip set to the miter leg length. Follow specific clip center-on-center spacing for straight, radius and vaulted coping lengths per the installation guide.

Install clip sets at all corners and ends first, then work along the wall to the center. Adjust the clip location in the middle of a run to fit a short coping length. This procedure will provide a symmetrical appearance of the installed coping.

Hook the face of the coping cap under the outside face leg of the clips, rotate the coping cap over the top of the clips and snap the back leg by pressing down until the hook snaps into place. Leave a ¼-in. gap at each joint for thermal movement.

FINISHES

- Mill aluminum
- Pre-coat Kynar 500 - from the manufacturer's standard color chart
- Post-coat Kynar 500 - industry standard two coat colors
- Non-standard Kynar 500 - colors requiring multiple coatings or protective clear coats
- Anodized aluminum -clear, bronze and black
- Stainless steel

GUARANTEE

A. Manufacturer's Standard Warranty:

OMG Inc. warrants that PermaSnap and PermaSnap Plus will not blow off or leak in wind conditions up to 110 miles per hour (3 second maximum peak gust speed) for a period of 20 years from date of shipment. Furthermore, OMG warrants that the product is free from defects in material and workmanship according to OMG EdgeSystems' specifications for five years from date of shipment.

PermaSnap and PermaSnap Plus come with a 20-year Excel Warranty for wind speeds up to 110 mph.

Decorative Finish Warranty

- 30 year, pre-finished Kynar 500 warranty
- 20 year, post-finished Kynar 500 warranty

QUALITY ASSURANCE

The PermaSnap and PermaSnap Plus coping systems have been tested simultaneously on the horizontal and vertical surfaces in accordance with ANSI/SPRI/ FM 4435/ES-1 SPRI Test Method RE-3 for coping.

TECHNICAL SERVICES

Shop drawings are available from the factory. Product samples, detail sheets, color chips and color charts are available for your submittal package. CSI 3-Part specifications and CAD/ BIM details are available on our website. For personal assistance with questions or submittals, contact your local OMG Edge Systems representative.



EdgeSystems

4 COMMERCE WAY, ARDEN NC 28704 USA
800-892-9173 828-676-1700 OMGROOFING.COM

Copyright © 2020 OMG, Inc. All rights reserved.

Superior productivity.
Superior performance.

