



# Continuous Cleat & Continuous Cleat Plus

## PRODUCT DATA SPECIFICATIONS

### PRODUCT DESCRIPTION

Continuous Cleat Coping features a continuous cleat and 12-in. wide 20 Ga. clips that are placed on top of the cleat for extreme wind areas. It is covered by our 110 MPH/20 year Excel Warranty.

### FEATURES & BENEFITS

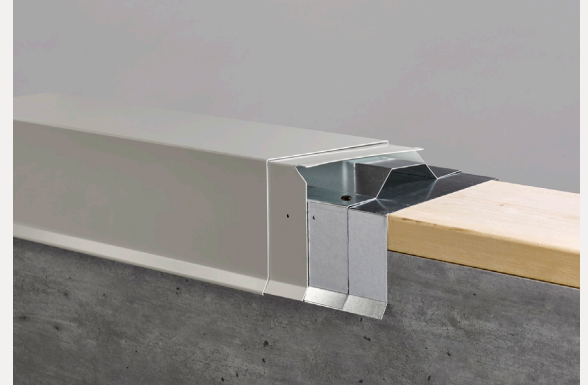
- Continuous 24 Ga. cleat for secure attachment in high winds.
- Continuous Cleat Coping standard clips are 20 Ga. galvanized steel.
- Continuous Cleat Plus Coping standard clips are 16 Ga. galvanized steel.
- The concealed splice offers an internal gutter system that eliminates caulked joints and butyl tapes.

- True welded radius, matching corners, end caps, and other accessories are factory fabricated.
- 20-Year Excel Warranty for wind speeds up to 110 MPH.
- Pre-punched holes and supplied fasteners for proper attachment and fast installation.

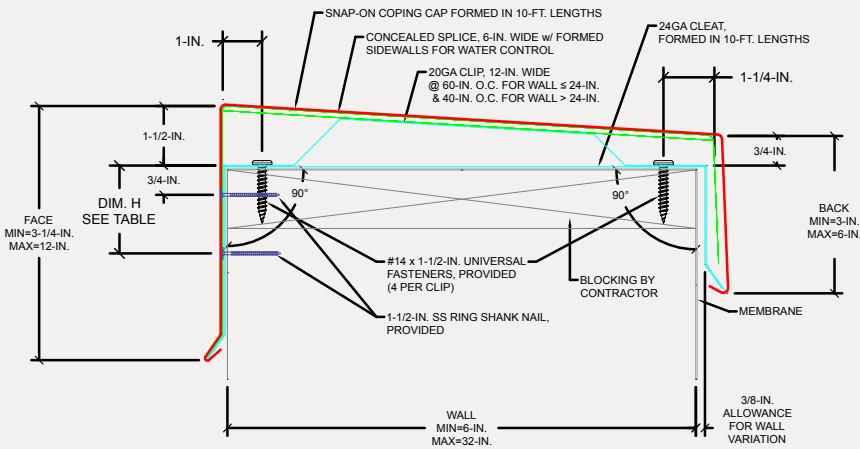
### APPROVALS

ANSI/SPRI/FM 4435 /ES-1 TESTED

MIAMI-DADE COUNTY APPROVED

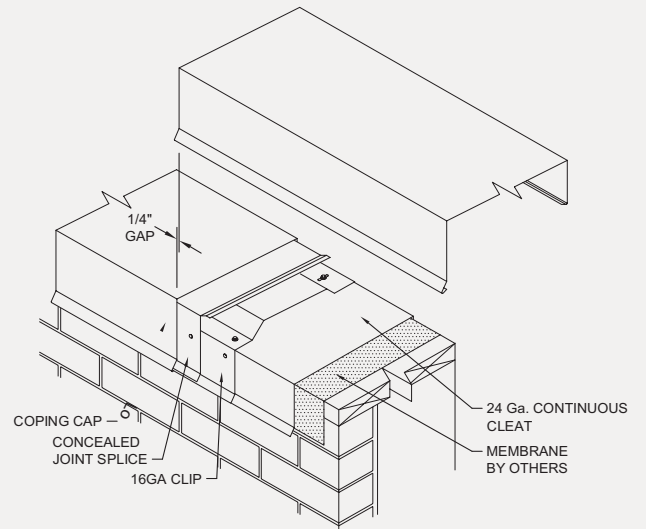


ANSI/SPRI/FM4435/ES-1 TEST PRESSURES UP TO 159 PSF (VERTICAL), AND 91 PSF (HORIZONTAL)



FOR MASONRY APPLICATIONS, PLEASE CONTACT OMG. CONTACT OMG FOR APPROPRIATE RECOMMENDATIONS NEEDED TO MEET/EXCEED ANSI/SPRI/FM4435/ES-1 DESIGN CRITERIA

WALL SIZES IN	FACE HEIGHTS	CAP MATERIAL	CAP GAUGE IN
<b>CONTINUOUS CLEAT</b>			
Wall Sizes 6 - 32	3 1/4-in. to 12-in.	Galvanized Steel, Stainless Steel, Zinc, Aluminum, other materials by request	22 Ga. and 24 Ga. Other thicknesses by request
<b>CONTINUOUS CLEAT PLUS</b>			
Wall Sizes 6 - 32	3 1/4-in. to 12-in.	Galvanized Steel, Stainless Steel, Zinc, Aluminum, other materials by request	.040, .050, and .063
<b>FINISHES</b>			
Mill Aluminum			
Pre-Finished Kynar 500 from the manufacturer's standard color chart			
Premium Pre-Finished Kynar 500 from the manufacturer's color chart			
Post-Finished Kynar 500			
Pre-Finished anodized aluminum – clear, bronze or black			
Post-Finished anodized aluminum			





# Continuous Cleat & Continuous Cleat Plus

## INSTALLATION PROCEDURE

### SPECIFICATIONS (short form)

The coping cap shall be the Continuous Cleat coping system as manufactured by OMG Edge Systems. The coping cap shall be installed as indicated with allowance for expansion and contraction.

**Continuous Cleat** coping shall be a 24Ga. galvanized steel cleat with 20 Ga. clips.

**Continuous Cleat Plus** coping cleat shall be a 24 Ga. galvanized steel cleat with 16 Ga. clips for extreme wind.

A 6-in. wide concealed splice with an internal drainage system shall channel water back to the roof. The concealed splice will be the same pre-finished material as the coping cap.

### DESCRIPTION

The product is a metal coping with a 24 Ga. continuous cleat intermittent metal clip. Standard coping cap is formed from .040, .050, .063, or .080-in aluminum and 24 Ga or 22 Ga. galvanized steel with Kynar 500 coating; custom metal by request. Standard coping cap length is 10-ft. 16 Ga. clips may be used in extreme wind areas for increased uplift protection. Concealed splices are metal in the same color and finish as the coping cap. Coping is fabricated to the wall widths between 6-in. and 32-in. The back leg is a standard 4-in. nominal length. Custom sizes and materials are available by request.

### INSTALLATION PROCEDURES

This is a general outline. Refer to our full installation guide for details.

#### Preparation:

The substrate should be flat and level from front to back. Shim areas not level.

#### Procedure:

Place continuous cleat down on top of the parapet wall then pull it in the direction of the roof to snug it against the outside face of parapet wall. Continue this process along the whole parapet wall. Allow a ¼-in. gap between cleats.

Locate clips at the corners and along the wall.

Pull clips snugly against the outside face. Place four (4) fasteners in the top of each clip with fasteners centered in slotted holes.

Place two (2) SS ring shank nails in the clip face. Position the splice over the center of the clip and install using two (2) SS ring shank nails through aligning holes. Splices should be installed at ALL clip locations.

Two (2) corner supports are placed at approximately 3-in. from each corners to support the cap. Secure using fasteners provided.

To install a miter, hook the face of the coping miter under the outside face leg of the clips, rotate the coping miter over the top of the clips and snap the roof side leg by pressing down.

Begin installing straight lengths from the corners and ends working inward to the center. Allow a ¼-in. gap between the coping sections for thermal expansion.

Lengths of all straight pieces should be considered prior to cutting to avoid creating relatively short sections of cap adjacent to full length sections. Place a clip and splice at 60-in. on center for walls < 24-in. wide or 40-in. on center for walls > 24-ins. wide.

### FINISHES

- Mill aluminum.
- Pre-Finished Kynar 500 - from the manufacturer's standard color chart.
- Premium pre-finished Kynar 500 from the manufacturer's color chart.
- Post-Finished Kynar 500.
- Pre-Finished anodized aluminum – clear, bronze or black.
- Post-Finished anodized aluminum.

### GUARANTEE

#### A. Manufacturer's Standard Warranty:

Warranted materials shall be free of defects in material and workmanship for five years after shipment. If, after inspection, the manufacturer agrees that materials are defective, the manufacturer shall at their option repair or replace them.

#### B. Special Performance/20-Year Excel Warranty:

Manufacturer shall guarantee that a coping system up to 32-in. wide, when installed per manufacturer's instructions, will not blow off, leak, or cause membrane failure, even in wind conditions up to 110 mph, or the manufacturer shall at their option repair or replace their materials.

#### C. Decorative Finish Warranty

- 30 year, pre-finished Kynar 500 warranty.
- 20 year, post-finished Kynar 500 warranty.

### QUALITY ASSURANCE

The Continuous Cleat Coping System has been tested simultaneously on the horizontal and vertical surfaces and has exceeded design wind pressure as calculated in accordance with the current edition of ANSI/SPRI/FM 4435/ES-1 "Wind Design Standard for Edge Systems used with Low Slope Roofing Systems".

### TECHNICAL SERVICES

Shop drawings are available from the factory. Product samples, detail sheets, color chips and color charts are ready for your submittal package. Long form specifications and CAD details are available on our website. For personal assistance with questions or submittals, contact your OMG local representative.



4 COMMERCE WAY, ARDEN NC 28704 USA  
800-892-9173 828-676-1700 OMGROOFING.COM

Copyright © 2020 OMG, Inc. All rights reserved.

Superior productivity.  
Superior performance.

