



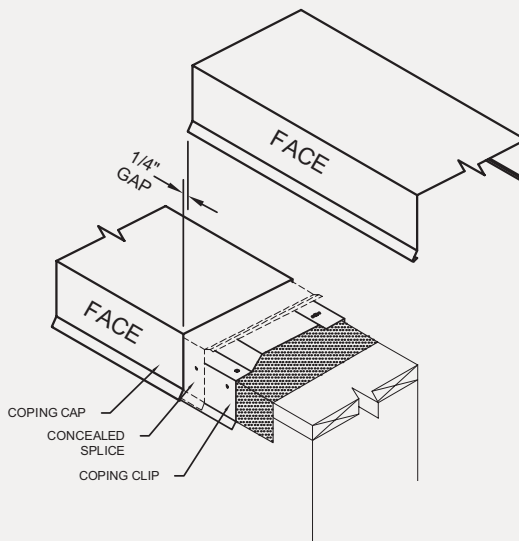
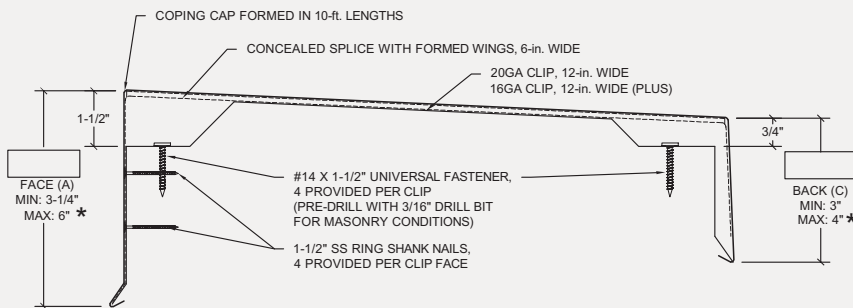
PRODUCT DATA SPECIFICATIONS

PRODUCT DESCRIPTION

QuickSnap is a three-piece snap-on coping system consisting of 20-Ga. galvanized clips, concealed splices and a snap-on coping cap. QuickSnap is designed for use with any commercial roofing system, easy to install, and offers excellent wind protection and a clean professional look.

FEATURES & BENEFITS

- ANSI/SPRI/FM 4435/ES-1 Tested.
- Snap-on design eliminates exposed fasteners.
- Concealed 6-inch splices provide an internal gutter system and eliminate the need for unsightly caulked or taped joints.
- True welded radius, matching corners, end caps and other accessories are factory fabricated.
- Supplied with 1.5-inch OMG Universal Fasteners.
- 20 year Excel Warranty for wind speeds up to 110 mph.
- QuickSnap Plus comes with heavy duty, 16-Ga. galvanized clips.



| Wall Sizes | Face Heights | Cap Material | Cap Gauge | Finishes |
|---|--------------------|----------------------------|--|--|
| QuickSnap 6- to 16-inches QuickSnap Plus 6- to 20-inches | 3 1/4- to 6-inches | Galvanized Steel, Aluminum | 22 Ga. and 24 Ga. galvanized steel, stainless steel or .040-, .050-, .063-, .080-inch aluminum | Mill Finish Manufacturer's Standard Kynar 500® Colors Custom or Exotic Kynar 500 Post-Finished Colors Clear, Bronze, Black Anodized |





QuickSnap & QuickSnap Plus

COPING SYSTEM

COPING SYSTEM

INSTALLATION PROCEDURE

SPECIFICATIONS *(short form)*

The coping cap shall be the QuickSnap coping system as manufactured by OMG EdgeSystems. The coping cap shall be formed galvanized steel or aluminum with allowance for expansion and contraction.

QuickSnap intermittent clips shall be 20 Ga. galvanized steel with pre-slotted fastener holes.

QuickSnap Plus intermittent clips shall be 16 Ga. galvanized steel with pre-slotted fastener holes.

A 6-in. wide concealed splice with an internal metal drainage system shall channel water back to the roof. The concealed splice will be the same prefinished material as the coping cap.

DESCRIPTION

Application

The product is a metal snap-on coping with intermittent clips for capping parapet walls. Standard coping is formed from .040-, .050-, .063- or .080-in. aluminum; or 22 or 24 Ga galv. steel with Kynar 500® coating; custom metal by request. Standard coping cap length is 10-ft. Clips are 20 Ga or 16 Ga galvanized steel. Concealed splices are the same color and finish metal as the coping cap. Coping is designed for wall widths from 6- to 16-inches (6- to 20-inches for QuickSnap Plus), with face heights from 3.25- to 6-inches. Custom sizes and materials are available by request.

INSTALLATION PROCEDURES

This is a general outline. Refer to our full installation guide for details.

Preparation:

The substrate should be flat and level from front to back. Shim areas not level.

Procedure:

The first clips with attached concealed joint splices should be placed 2-in. from the end of a wall and at the corners. The first 10-ft. length clip be installed with the center line of the clip set to the miter leg length. Follow specific clip center-on-center spacing for straight, radius and vaulted coping lengths per the QuickSnap installation guide. Install clip sets at all corners and ends first, then work along the wall to the center. Adjust the clip location in the middle of a run to fit a short coping length. This procedure will provide a symmetrical appearance of the installed coping.

Hook the face of the coping cap under the outside face leg of the clips, rotate the coping cap over the top of the clips and snap the back leg by pressing down until the hook snaps into place. Leave a ¼-in. gap at each joint for thermal movement.

FINISHES

- Natural mill aluminum
- Pre-coat Kynar 500 — from the manufacturer's standard color chart
- Post-coat Kynar 500 — industry standard two coat colors
- Non-standard Kynar 500 — colors requiring multiple coatings or protective clear coats
- Anodized aluminum — clear, bronze and black

GUARANTEE

Manufacturer's Standard Warranty:

OMG Inc. warrants that QuickSnap products will not blow off or leak in wind conditions up to 110 miles per hour (3 second maximum peak gust speed) for a period of 20 years from date of shipment. Furthermore, OMG warrants that the product is free from defects in material and workmanship according to OMG EdgeSystems' specifications for five years from date of shipment.

QuickSnap with a 20 Ga. galvanized steel clip has a 20-year Excel Warranty for wind speeds up to 110 mph.

QuickSnap Plus with a 16 Ga. galvanized steel clip has a 20-year Excel Warranty for wind speeds up to 110 mph.

Decorative Finish Warranty (consult Manufacturer).

QUALITY ASSURANCE

The QuickSnap coping system has been tested simultaneously on the horizontal and vertical surfaces in accordance with ANSI/SPRI/FM 4435/ES-1 SPRI Test Method RE-3 for coping.

TECHNICAL SERVICES

Shop drawings are available from the factory. Product samples, detail sheets, color chips and color charts are available for your submittal package. CSI 3-Part specifications and CAD/BIM details are available on our website. For personal assistance with questions or submittals, contact your local OMG Edge Systems representative.



EdgeSystems

4 COMMERCE WAY, ARDEN, NC 28704 USA
800-892-9173 828-676-1700 OMGEDGESYSTEMS.COM

Copyright © 2019 OMG, Inc. All rights reserved.

Superior productivity.
Superior performance.

