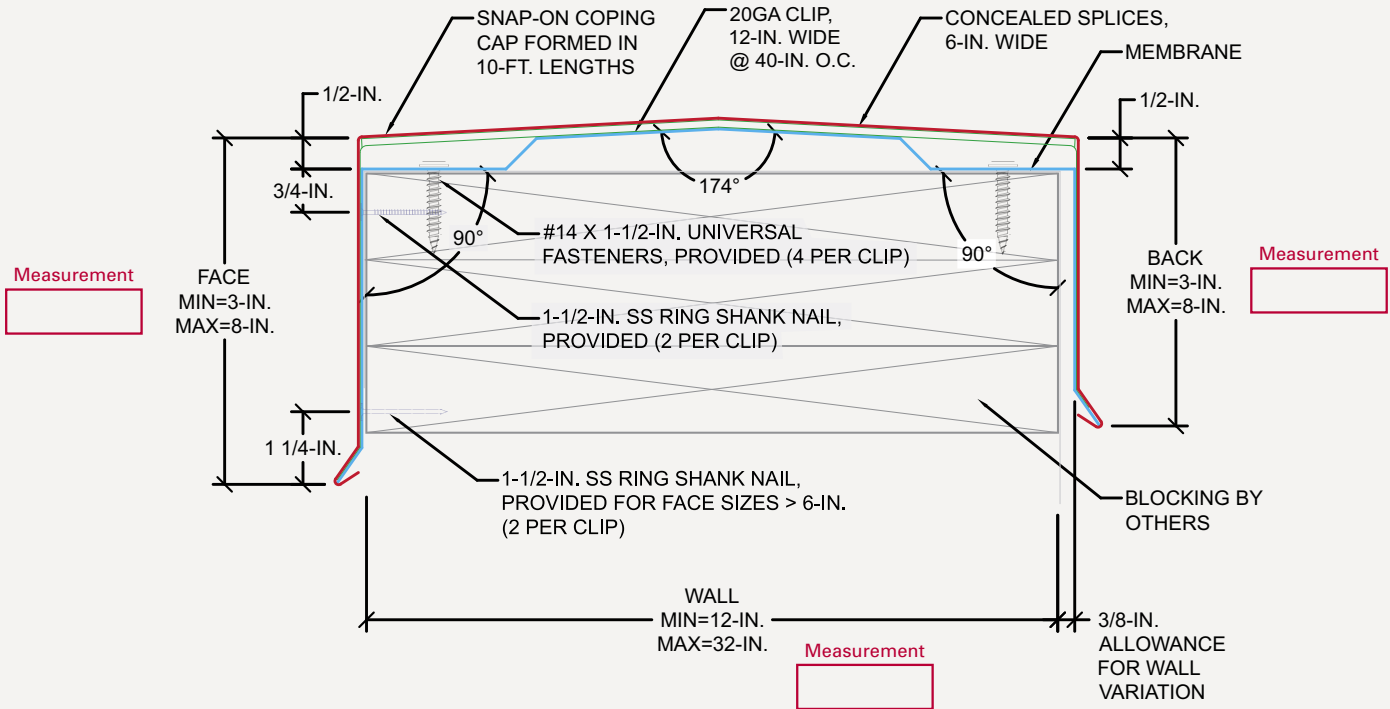




Double Slope Coping

ORDER SPECIFICATION FORM



FOR MASONRY APPLICATIONS, PLEASE CONTACT OMG.

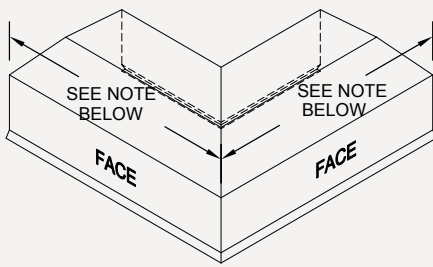
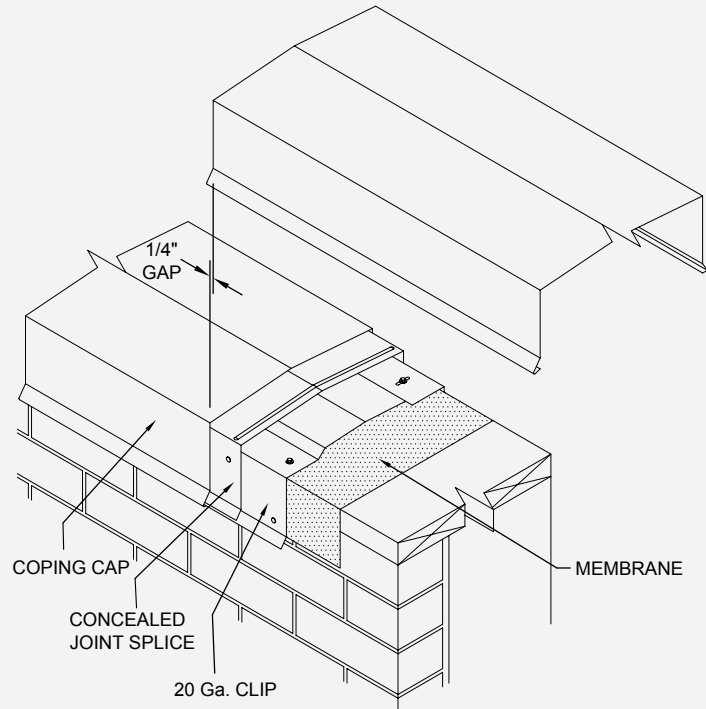
CONTACT OMG FOR APPROPRIATE RECOMMENDATIONS NEEDED TO MEET/EXCEED ANSI/SPRI/FM4435/ES-1 DESIGN CRITERIA

QUANTITY		CAP MATERIAL	THICKNESS	ACCESSORY TYPE	CAP FINISH
___ Total LF	___ Tee Miters	Aluminum	0.040	Welded	Mill Finish
___ Miters (___ Outside, ___ Inside)	___ Zee Miters	Galvanized	0.050	COLOR _____	Prefinished Kynar
___ End Caps (___ Left, ___ Right)	___ Transition Miters, Ridge Miters,	Stainless Steel	0.063		Post Finished Kynar
___ End Caps Insert (___ Left, ___ Right)	___ Valley Miters, Special Corners	_____	0.080		Prefinished Anodized
___ End Terms (___ Left, ___ Right)	Attach Sketches		24 Ga.		Post Finished Anodized
___ Radius LF	(for Miters in this Column)		22 Ga.		_____
___ Radius to Straight Miters			_____		
___ Radius to End Conditions					
___ Vaulted LF					
___ Vaulted to Straight Miters					

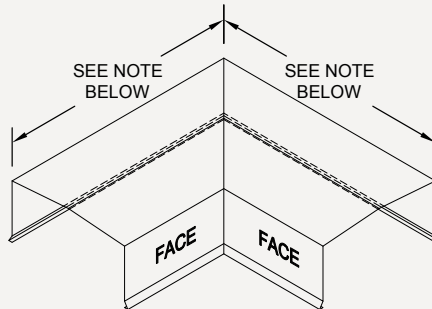
APPROVALS: Contact manufacturer for verification of test report data on your project.	CUSTOMER APPROVAL		Authorized Customer Signature
	Approved for Fabrication Approved with Changes Not Approved	_____ Title	_____ Date
Job Name:	Job #:	By:	
Customer:	Project Location:	Date:	
Representative:	Architect:	Sheet of	



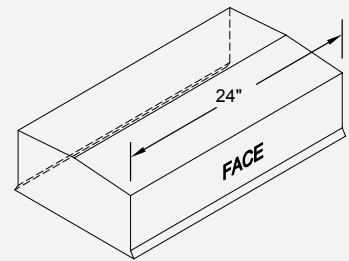
Double Slope Coping



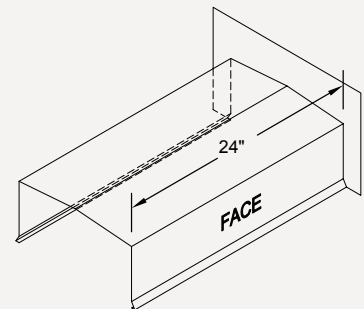
OUTSIDE MITER



INSIDE MITER



END CAP
LEFT HAND SHOWN



END TERM
RIGHT HAND SHOWN

Standard coping miter leg lengths:

23-1/4" for 6" to 16" wall widths

29-1/4" 16" to 23" wall widths

custom lengths for wall widths > 23"

Standard coping miter angle is 90°

For special miter requirements, attach sketches or consult manufacturer for assistance.



EdgeSystems

4 COMMERCE WAY, ARDEN NC 28704 USA
800-892-9173 828-676-1700 OMGROOFING.COM

Copyright © 2020 OMG, Inc. All rights reserved.

Superior productivity.
Superior performance.

