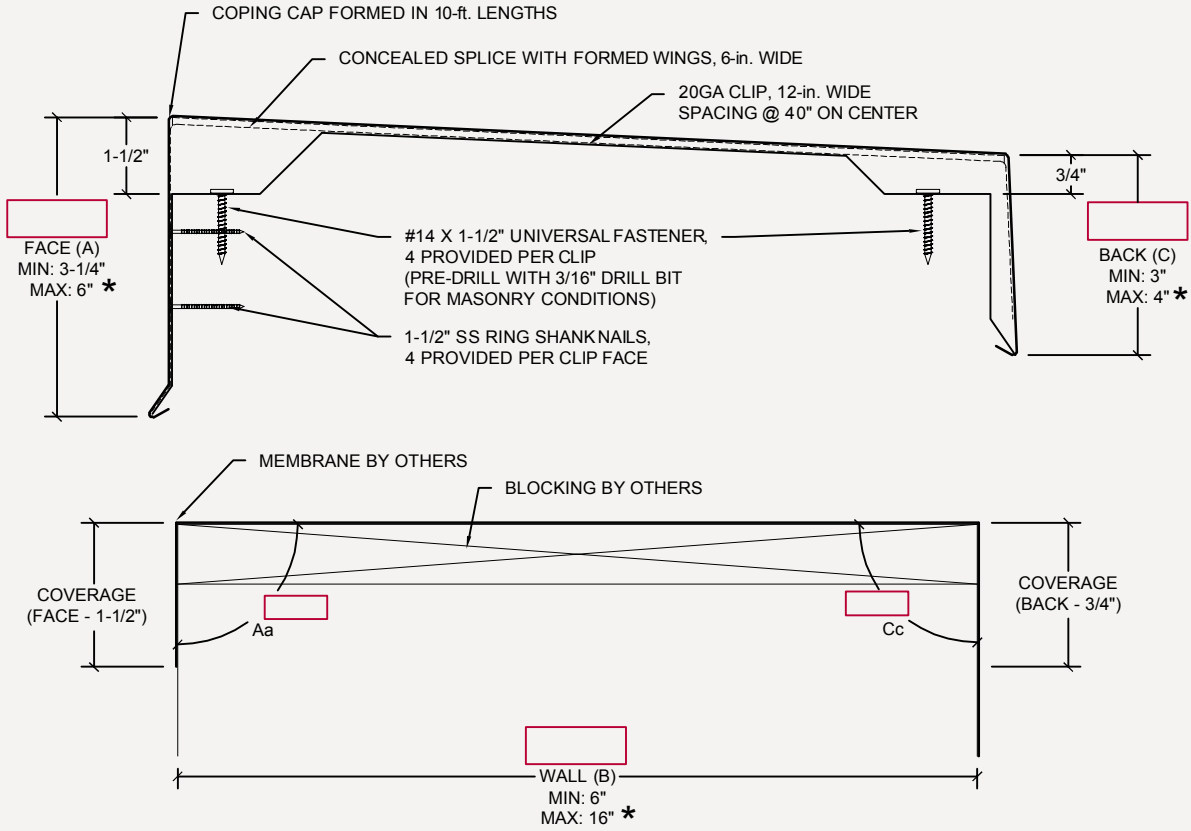




QuickSnap® Snap-On Coping with Intermittent Clips

ORDER SPECIFICATION FORM



* Face (A) / Wall (B) / Back (C) sizes are provided in 1/4-in. increments (e.g. 3-1/4-in, 3-1/2-in, 3-3/4-in.)

QUANTITY	Attach Sketches of Z- and T- Miters	COVER MATERIAL	THICKNESS	COVER FINISH
_____	Straight Length	Aluminum	24Ga.	Mill
_____	Total Miters (Inside: _____ / Outside: _____)	Galvanized	22Ga.	Prefinished Kynar
_____	Total End Caps (Left: _____ / Right: _____)	Stainless Steel	.040 in.	Premium Prefinished Kynar
_____	Total End Terms (Left: _____ / Right: _____)		.050 in.	Post Finished Kynar
_____	Transition Miters	ACCESSORY TYPE	.063 in.	Prefinished Anodized
_____	T-Miter	Welded	.080 in.	Post Finished Anodized
_____	Z-Miter	Metal-Lok		
_____	Radius			
_____	Radius to Straight Miter	CUSTOMER APPROVAL		
_____	Radius End Cap	Approved for Fabrication	Approved with Changes	Not Approved
_____	Vault, Welded	_____		
_____	Vault to Straight Miter, Welded	Authorized Customer Signature		
_____	Vault, End Cap	_____		
_____	Ridge Miter	Title	Date	
_____	Valley Miter	Job Name:	_____	
COLOR	_____	Customer:	_____	

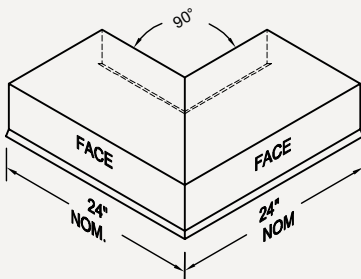
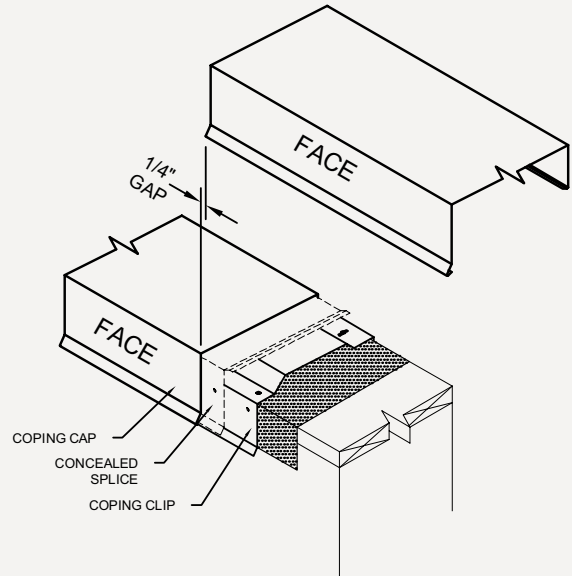


QuickSnap® Snap-On Coping with Intermittent Clips

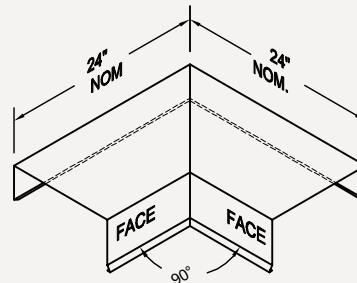
STANDARD COLORS - Other Colors Available

Ascot White	Bone White	Dove Gray	Silversmith	Shale Gray
Rocky Gray	Sandstone	Champagne	Titanium	Charcoal Gray
Concord Cream	Rawhide	Sierra Tan	Coppertone	Mission Red
Bright Red	Redwood	Boysenberry	Chocolate Brown	Antique Patina
Siam Blue	Slate Blue	Turquoise	Regal Blue	Statuary Bronze
Black	Hemlock Green	Patina Green	Forest Green	Hartford Green
	* Premium Colors			

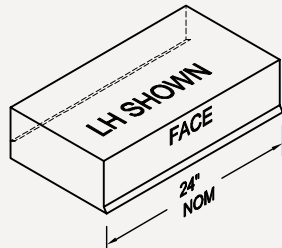
Medium Bronze



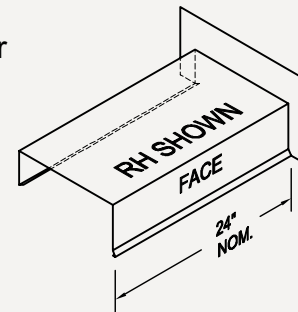
Outside Miter



Inside Miter



End Cap



End Term



EdgeSystems

4 COMMERCE WAY, ARDEN NC 28704 USA
800-892-9173 828-676-1700 OMGEDGESYSTEMS.COM

Copyright © 2019 OMG, Inc. All rights reserved.

Superior productivity.
Superior performance.

