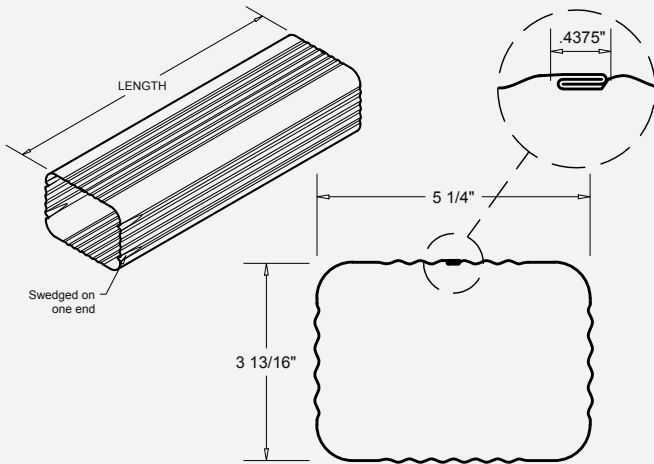




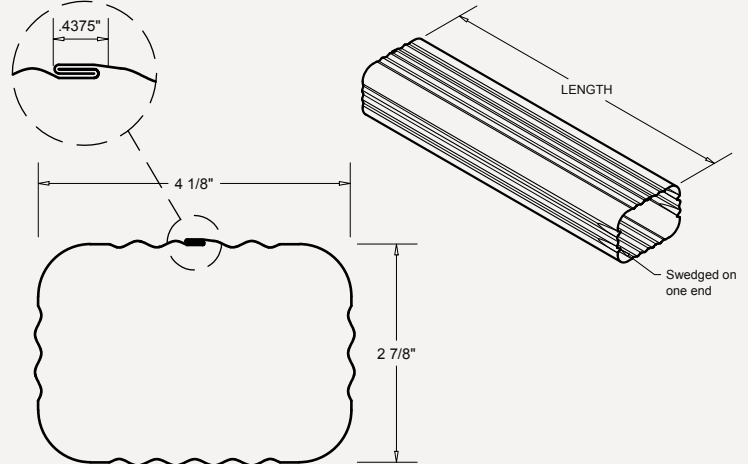
Corrugated Downspout + Accessories

ORDER SPECIFICATION FORM

4 X 5 DOWNSPOUT



3 X 4 DOWNSPOUT



MATERIAL		QUANTITIES	
22GA STEEL (4x5 downspout only)		_____ TOTAL FEET OF DOWNSPOUT	_____ REQUESTED LENGTH PER PIECE
24GA STEEL	16OZ COPPER	_____ OUTLET TUBES	
26GA STEEL (limited color availability)	20OZ COPPER	_____ ELBOWS (STD .75°)	
.027 ALUMINUM (4x5 only; polyester finish)		STYLE A: _____ STYLE B: _____	LEFT TURN
.032 ALUMINUM		_____ ELBOWS (CUSTOM DEGREE) _____°	RIGHT TURN
.040 ALUMINUM (not available for 3x4 elbows/offsets)		STYLE A: _____ STYLE B: _____	LEFT TURN
COLOR		_____ ONE-PIECE OFFSETS _____	OFFSET AMOUNT _____
Select Metal Vendor		STYLE A: _____	EAVE
Select Color		LEGE	STYLE B: _____
			LEFT TURN
			RIGHT TURN
		_____ STRAPS (STANDARD =2 PER 10' DOWNSPOUT)	

PRINT APPROVED BY	PROJECT INFORMATION
(SIGNATURE)	(PROJECT NAME)
(DATE)	(ARCHITECT)
A SIGNED PRINT APPROVAL SIGNIFIES A CUSTOMER HAS VERIFIED ALL DIMENSIONS, SIZES, QUANTITIES, AND MATERIAL TYPES. FABRICATION WILL PROCEED ONLY AFTER RECEIPT OF SIGNED PRINT APPROVAL.	(CUSTOMER)
	(REPRESENTATIVE/DISTRIBUTOR)

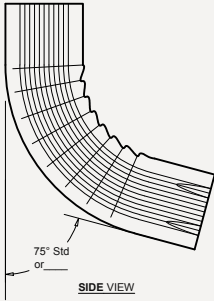




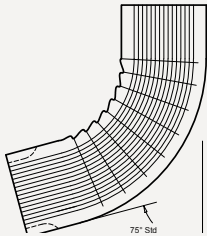
Corrugated Downspout + Accessories

ACCESSORIES

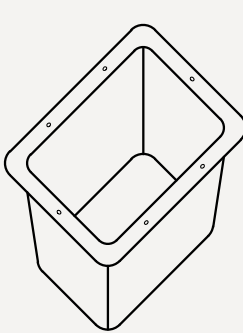
A STYLE ELBOW



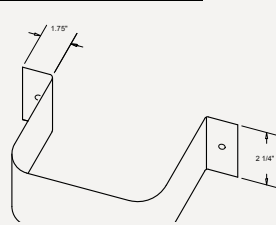
B STYLE ELBOW



STAMPED OUTLETS



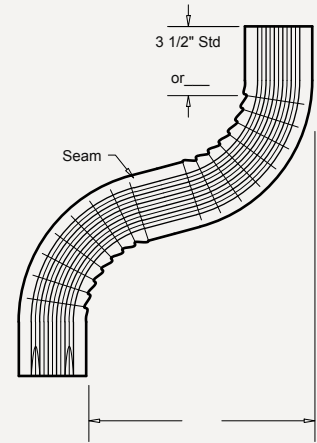
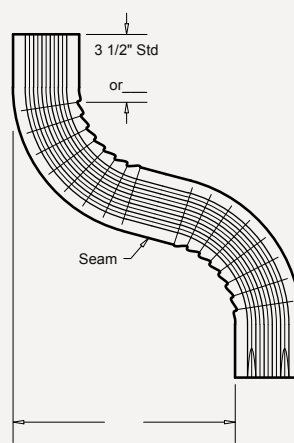
DOWNSPOUT STRAPS



ONE-PIECE OFFSETS

"DOWN" STYLE (LEDGE)

"UP" STYLE (EAVE)



EdgeSystems

4 COMMERCE WAY, ARDEN NC 28704 USA
800-892-9173 828-676-1700 OMGEDGESYSTEMS.COM

Copyright © 2019 OMG, Inc. All rights reserved.

Superior productivity.
Superior performance.

