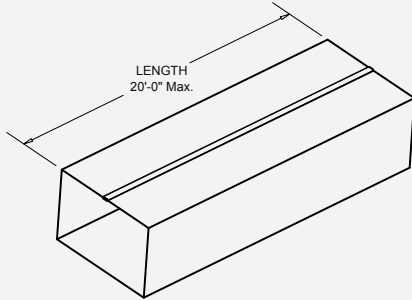




Box Downspout + Accessories

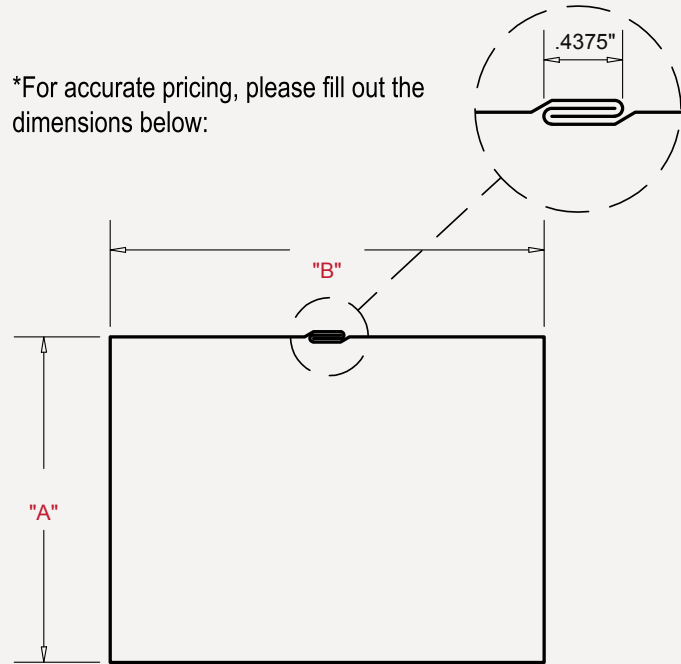
ORDER SPECIFICATION FORM

BOX DOWNSPOUT



*DOWNSPOUT SIZE

*For accurate pricing, please fill out the dimensions below:



MATERIAL		QUANTITIES			
22GA STEEL	.032 ALUMINUM	_____ TOTAL FEET OF DOWNSPOUT		_____ REQUESTED LENGTH PER PIECE	
24GA STEEL	.040 ALUMINUM	_____ OUTLET TUBES			
26GA STEEL (limited color availability)	.050 ALUMINUM	_____ ELBOWS (STD .75")			
22GA STAINLESS STEEL	160Z COPPER	STYLE A: _____	SEAM LONG SIDE SEAM SHORT SIDE	STYLE B: _____	LEFT TURN RIGHT TURN
24GA STAINLESS STEEL	200Z COPPER	_____ ELBOWS (CUSTOM DEGREE) _____°			
26GA STAINLESS STEEL		STYLE A: _____	SEAM LONG SIDE SEAM SHORT SIDE	STYLE B: _____	LEFT TURN RIGHT TURN
COLOR		_____ ONE-PIECE OFFSETS _____" OFFSET AMOUNT _____			
Select Metal Vendor		STYLE A: _____	EAVE LEDGE	STYLE B: _____	LEFT TURN RIGHT TURN
Select Color		_____ STRAPS (STANDARD =2 PER 10' DOWNSPOUT)			

PRINT APPROVED BY	PROJECT INFORMATION	
(SIGNATURE) _____ (DATE) _____	(PROJECT NAME)	
	(ARCHITECT)	
A SIGNED PRINT APPROVAL SIGNIFIES A CUSTOMER HAS VERIFIED ALL DIMENSIONS, SIZES, QUANTITIES, AND MATERIAL TYPES. FABRICATION WILL PROCEED ONLY AFTER RECEIPT OF SIGNED PRINT APPROVAL.	(CUSTOMER)	
	(REPRESENTATIVE/DISTRIBUTOR)	





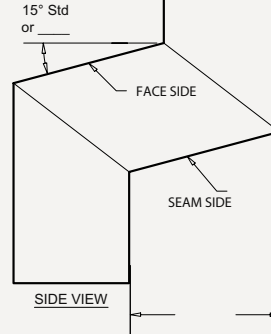
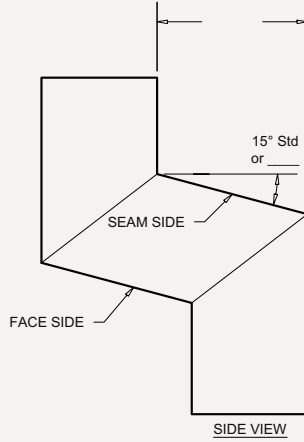
Box Downspout + Accessories

ACCESSORIES

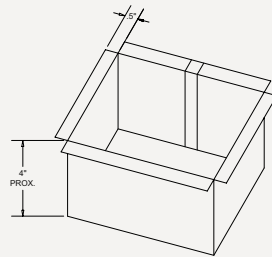
ONE-PIECE OFFSETS

"UP" STYLE (EAVE)

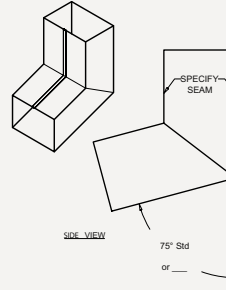
"DOWN" STYLE (LEDGE)



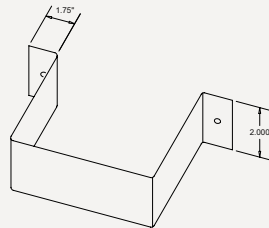
OUTLET TUBES



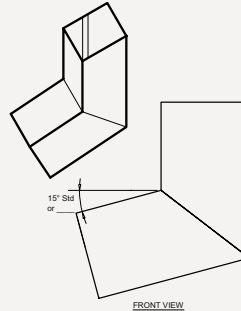
A STYLE ELBOW



DOWNPOUT STRAPS



B STYLE ELBOW



EdgeSystems

4 COMMERCE WAY, ARDEN NC 28704 USA
800-892-9173 828-676-1700 OMGEDGESYSTEMS.COM

Copyright © 2019 OMG, Inc. All rights reserved.

Superior productivity.
Superior performance.

