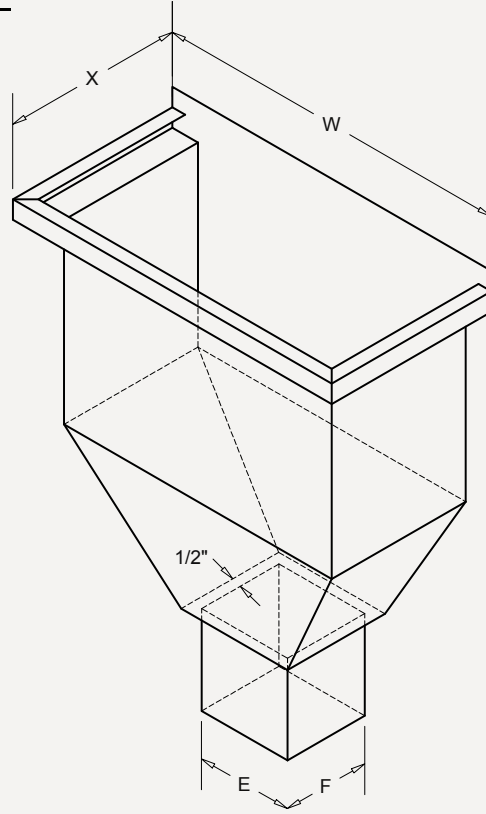
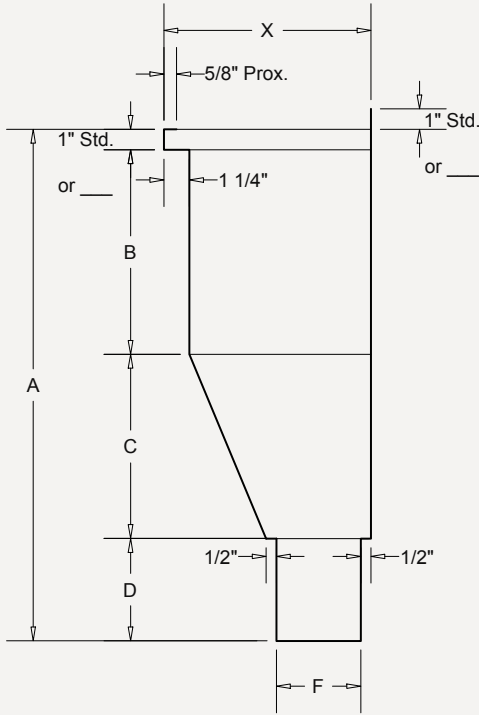




Collector Box & Transition

ORDER SPECIFICATION FORM

COLLECTOR BOX



MATERIAL		QUANTITIES
22GA STEEL	.032 ALUMINUM	_____ TOTAL COLLECTOR BOXES
24GA STEEL	.040 ALUMINUM	SIZES
26GA STEEL (limited color availability)	.050 ALUMINUM	A _____
	16OZ COPPER	B _____
22GA STAINLESS STEEL	20OZ COPPER	C _____
24GA STAINLESS STEEL		D _____
26GA STAINLESS STEEL		E _____
COLOR		F _____
Select Metal Vendor		W _____
Select Color		X _____

NOTES:

PRINT APPROVED BY	PROJECT INFORMATION
(SIGNATURE)	(PROJECT NAME)
(DATE)	(ARCHITECT)
	(CUSTOMER)
	(REPRESENTATIVE/DISTRIBUTOR)

A SIGNED PRINT APPROVAL SIGNIFIES A CUSTOMER HAS VERIFIED ALL DIMENSIONS, SIZES, QUANTITIES, AND MATERIAL TYPES. FABRICATION WILL PROCEED ONLY AFTER RECEIPT OF SIGNED PRINT APPROVAL.

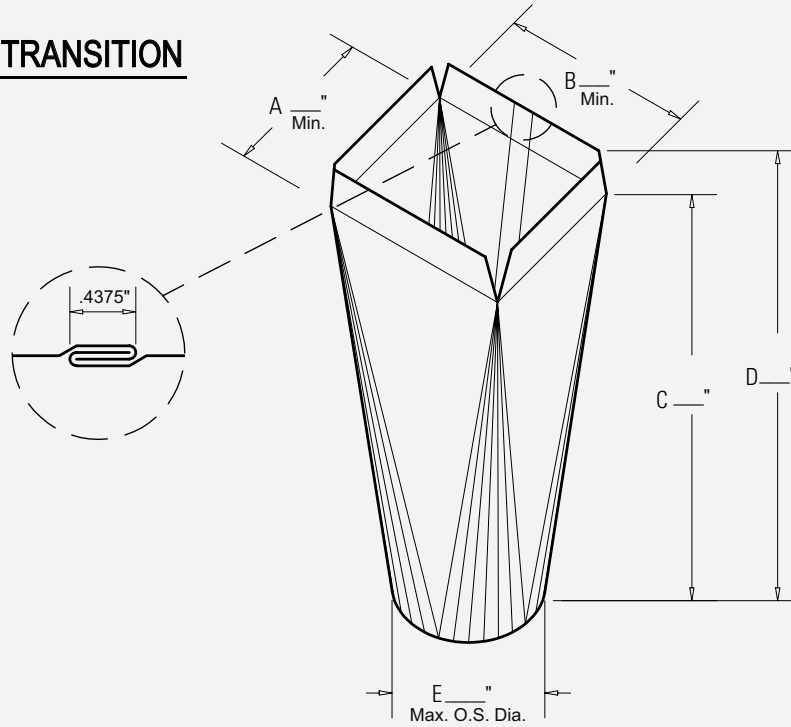




Collector Box & Transition

ACCESSORIES

TRANSITION



MATERIAL		QUANTITIES	
22GA STEEL	.032 ALUMINUM	_____ TOTAL TRANSITIONS	
24GA STEEL	.040 ALUMINUM	SIZES	
26GA STEEL (limited color availability)	.050 ALUMINUM	A _____	
	160Z COPPER	B _____	
22GA STAINLESS STEEL	200Z COPPER	C _____	
24GA STAINLESS STEEL		D _____	
26GA STAINLESS STEEL		E _____	
COLOR		NOTES:	
Select Metal Vendor			
Select Color			

PRINT APPROVED BY	PROJECT INFORMATION
_____ (SIGNATURE)	_____ (PROJECT NAME)
	_____ (ARCHITECT)
A SIGNED PRINT APPROVAL SIGNIFIES A CUSTOMER HAS VERIFIED ALL DIMENSIONS, SIZES, QUANTITIES, AND MATERIAL TYPES. FABRICATION WILL PROCEED ONLY AFTER RECEIPT OF SIGNED PRINT APPROVAL.	_____ (CUSTOMER)
	_____ (REPRESENTATIVE/DISTRIBUTOR)
_____ (DATE)	



EdgeSystems

4 COMMERCE WAY, ARDEN NC 28704 USA
 800-892-9173 828-676-1700 OMGEDGESYSTEMS.COM

Copyright © 2019 OMG, Inc. All rights reserved.

Superior productivity.
 Superior performance.

