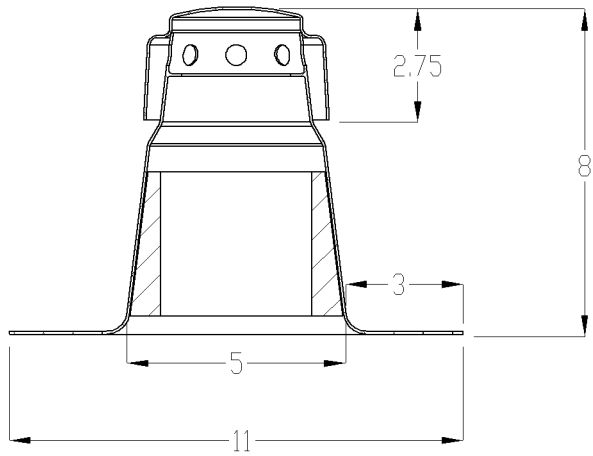
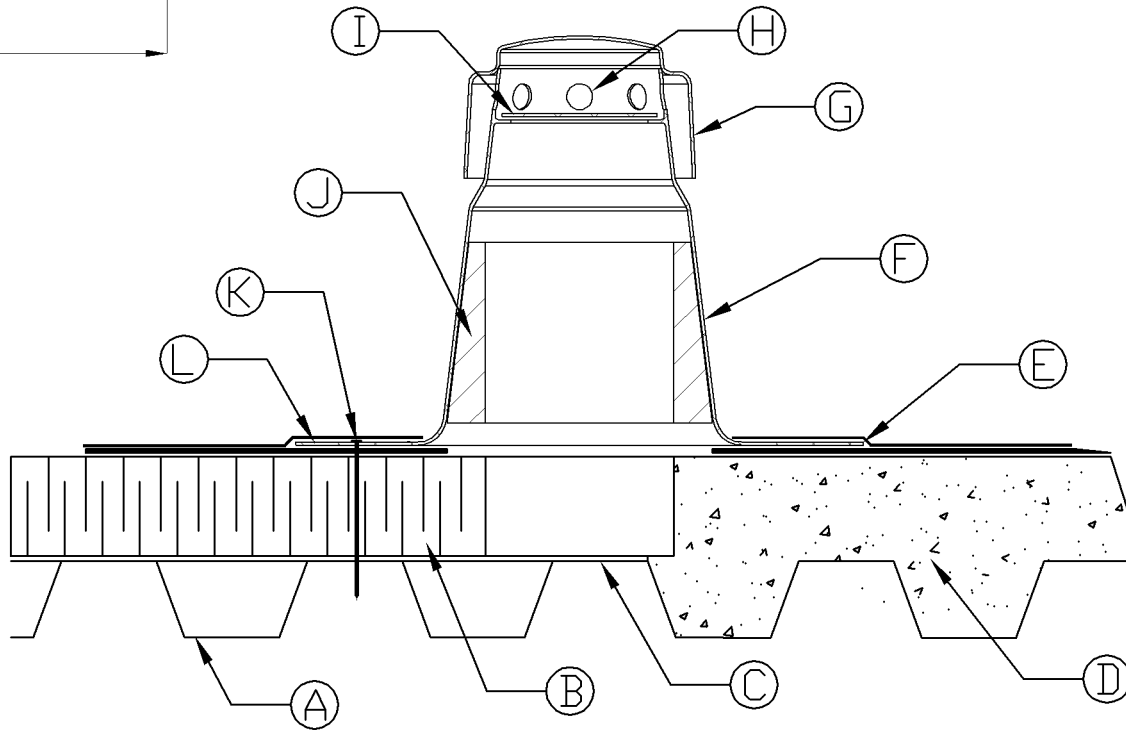


## TWO WAY



## ONE WAY



## BALLOONS

A	ROOF DECK
B	INSULATION
C	VAPOR BARRIER
D	LIGHTWEIGHT CONCRETE
E	ROOF PLY FLASHING
F	OLYVENT STEM
G	OLYVENT RAIN CAP
H	BREATHER HOLES
I	ONE WAY VALVE
J	OPTIONAL INSULATION INSERT
K	FLANGE FASTENER
L	ALUMINUM FLANGE

APPLICATIONS: ALL ROOF SYSTEMS

SIZES: ONE-WAY VENT / TWO WAY BREATHER

**NOTES:**

1-REFER TO ROOF MEMBRANE MANUFACTURER FOR THEIR APPROVED INSTALLATION DETAIL.

2-OLYVENT TWO-WAY DOES NOT INCLUDE ONE-WAY VALVE.



OMG Inc.  
153 Bowles Road  
Agawam, MA 01001  
**800-633-3800**  
info@olyfast.com  
www.olyfast.com

NAME: OlyVent One-Way / OlyVent Two-Way			
DRWN. BY: JLM	DATE: 03/30/2012	SKU: OV1WAY / OV2WAY	
APPD. BY: DG	DATE: 04/06/2012	SCALE: NOT TO SCALE	SHEET: 1 OF 1