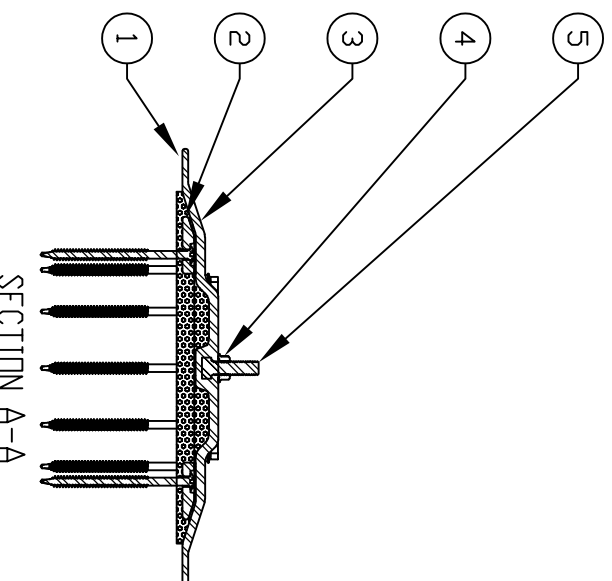
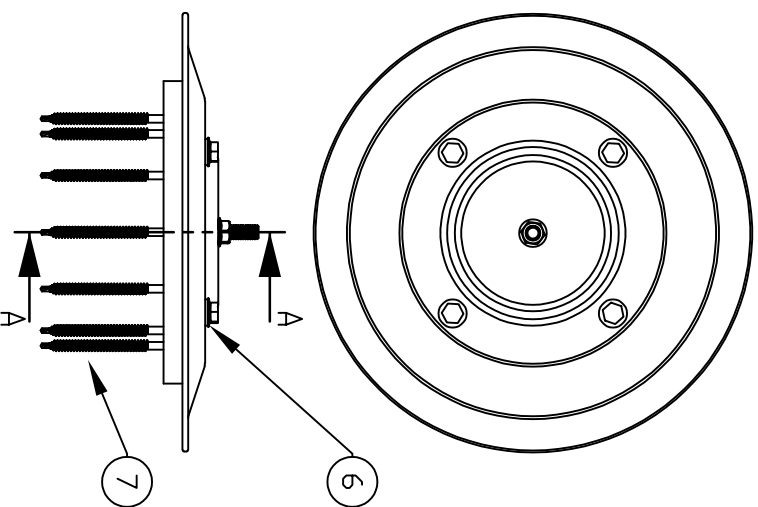


BALLOONS

1. WATER CUTOFF MASTIC, APPLIED TO TOP PLATE BEFORE ASSEMBLY AS A WATERPROOF SEAL (NOT PROVIDED BY OMG).
2. UNIVERSAL 11 BASE PLATE WITH PRE-APPLIED COMPRESSIBLE FOAM SEALING GASKET. GASKET ACTS AS SECONDARY WATERPROOF SEAL OVER ROOF SCREWS.
3. UNIVERSAL 11 TOP PLATE WITH PRE-APPLIED COMPRESSIBLE FOAM SEALING GASKET. GASKET ACTS AS SECONDARY WATERPROOF SEAL OVER ROOF SCREWS.
4. STAINLESS STEEL FLANGE NUT FOR TYING DOWN SOLAR ARRAY.
5. 3/8" FLAT HEAD SS SCREW, 1" EXPOSED THREADS.
6. FOUR, 5/16" STAINLESS STEEL CAP SCREWS THROUGH STAINLESS STEEL NEOPRENE GASKETED WASHERS SECURES TOP PLATE TO BASE PLATE. SYSTEM ACTS TO CONDUCT ALL LOADS; TENSILE, COMPRESSIVE AND SHEAR - TO THE STRUCTURAL DECK WITHOUT CONTRIBUTION OF THE ROOF ASSEMBLY.
7. 6 OR 12 OMG ROOF SCREWS. TYPE AND QUANTITY ARE DEPENDANT ON ENGINEER REQUIREMENTS. LENGTH IS DEPENDENT ON OVERALL ROOF THICKNESS.(ORDERED SEPARATELY)



SECTION A-A



OMG Inc.  
153 Bowles Road  
Agawam, MA 01001  
800-653-3800  
www.omgroofing.com

NAME: PowerGrip Universal 11	
DRWN. BY: DJB	DATE: 11/10/2021
APPD. BY: KK	DATE: 11/10/2021
SKU: PGRU11	SCALE: NOT TO SCALE
SHEET: 1 OF 1	