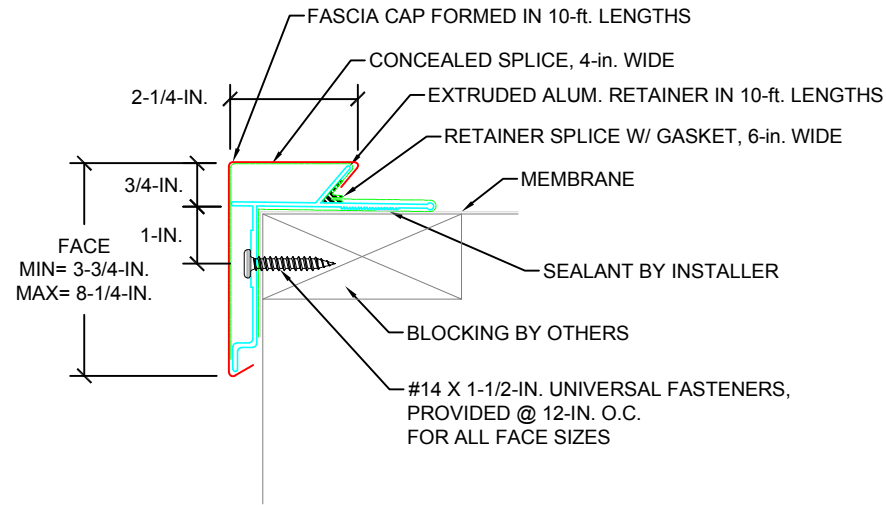


ANSI/SPRI/FM4435/ES-1 TEST PRESSURES UP TO 260 PSF (HORIZONTAL)



PRE-DRILL WITH 3/16-IN. DRILL BIT FOR MASONRY CONDITIONS.
 CONTACT OMG FOR APPROPRIATE RECOMMENDATIONS NEEDED TO MEET/EXCEED
 ANSI/SPRI/FM4435/ES-1 DESIGN CRITERIA

APPLICATIONS
 SINGLE-PLY MEMBRANES
 MOD BIT
 BUR

SIZES:
 SEE DRAWING

NOTES:
 1-REFER TO ROOF MEMBRANE MANUFACTURER FOR THEIR APPROVED INSTALLATION DETAIL.
 2-TESTED IN ACCORDANCE WITH ANSI/SPRI/FM4435/ES-1.

ANSI/SPRI/FM4435/ES-1 TESTED



		OMG Inc. 4 Commerce Way Arden, NC 28704 828-676-1700 www.omgroofing.com	
EdgeSystems			
NAME: TERMINEDGE EX MB FASCIA			
DRWN. BY: PL	DATE: 02/14/2020	SKU:	TE EX MB
APPD. BY: KP	DATE: 02/14/2020	SCALE: NOT TO SCALE	SHEET: 1 OF 1